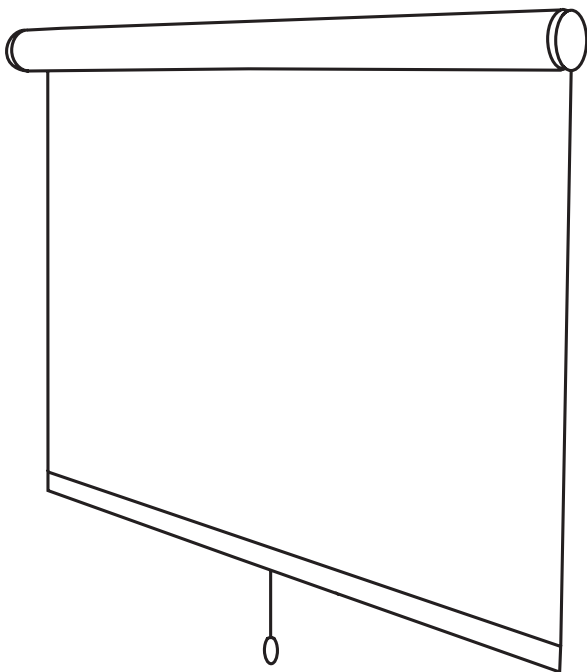


SYSTEMS ROLLER BLINDS

VALID FROM OCTOBER 1, 2023



ROLLER BLINDS

Création Baumann roller blinds fulfill several different functions, e.g. as window design, sun and glare protection, privacy assurance, and dimming.

The roller blinds are unparalleled in emphasizing the full beauty of the fabrics. Thanks to our in-house production, we are able to offer to our customers an extensive range of roller blind fabrics in several different plain colours, various weave structures, designs, and textile innovations.

TABLE OF CONTENTS

SIDE WINDER ROLLER BLINDS

Rolltric - Side Winder	5
Rolltric Plus - Side winder / Spring mechanism	10
Rolltric Grande - Side Winder	15
Megatric - Side Winder	20

SPRING MECHANISM ROLLER BLINDS

Minitric - Spring mechanism	24
Softronic - Spring mechanism	28

MOTORISED ROLLER BLINDS

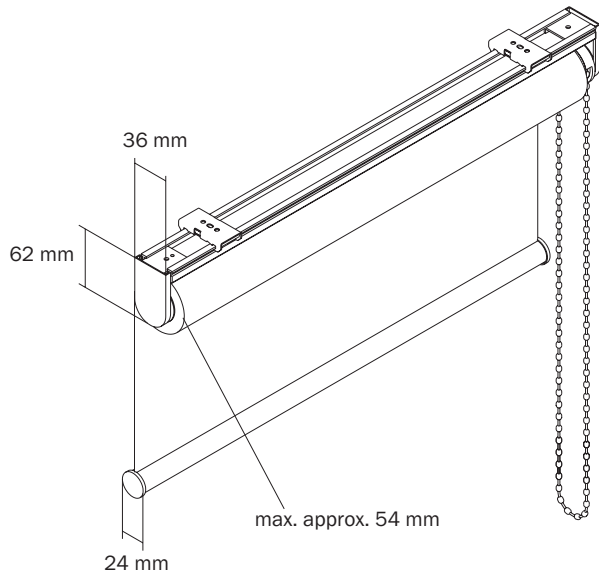
Ecotric Accu RTS - Motor 12 V	33
Ecotric Plus I + II - Motor 24 V	38
Rolllectro II + Rolllectro II RTS - Motor 230 V	44
Megatric Power + Megatric Power RTS - Motor 230 V	50

MEASURING AND INSTALLATION	54
-----------------------------------	----

Article	Measures of system			Operation				Tube size Ø mm	■ Characteristics / □ Options									Installation		
	Min. width cm	Max. width cm	Max. height cm	Chain-operated	Spring-operated	Motor electric	Motor battery		Head profile	Clip fixation	Elox Design	Bottom weight RO	Bottom weight SL	Bottom weight TEX	Stop controller	Cable guide	Linking	Ceiling	Wall	Recess
ROLLTRIC (A)	30	200	300	■				36	■	■	□	■	□	□		□		■	■	
ROLLTRIC PLUS (B)	30	200	300	■				36	■	■	□	■				□		■	■	
ROLLTRIC GRANDE (C)	50	250	360	■				46	■	■	□	■	□	□		□		■	■	
MEGATRIC (D)	80 271	270 300	400 400	■				52 65	□	□	□	■	□	□			□	■	■	■
MINITRIC (E)	35	140	200		■			26	■	■		■			■			■	■	
SOFTRIC (F)	30	200	300		■			36	■	■	□	■	□	□	□	□		■	■	
ECOTRIC ACCU RTS (G)	60	200	300				■ 12 V	36	■	■	□	■	□	□		■		■	■	
ECOTRIC PLUS I RTS (H)	60	245	260				■ 24 V	51	■	■	□	■						■	■	
ECOTRIC PLUS II RTS (O)	60	300	300				■ 24 V	61	■	■	□	■						■	■	
ROLLECTRO II (J)	60	250	360				■ 230 V	46	■	■	□	■	□	□		□		■	■	
ROLLECTRO II RTS (J)	60	250	360				■ 230 V	46	■	■	□	■	□	□		□		■	■	
MEGATRIC POWER (D)	60 271	270 300	400 400				■ 230 V	52 65	□	□	□	■	□	□			□	■	■	■
MEGATRIC POWER RTS (D)	60 271	270 300	400 400				■ 230 V	52 65	□	□	□	■	□	□			□	■	■	■

On the following product descriptions you will find further details.

Attention: The maximum width of the system is also depending on the choice of the fabric (see pricelist Systems

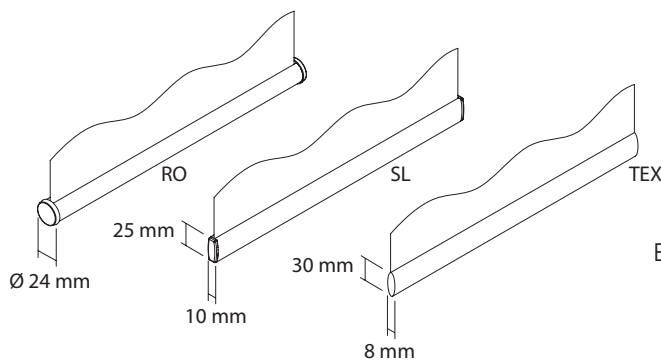


Technique The roller blind is manufactured out of high quality materials. Complete and ready for fitting, with a head profile and clips.
Tube with a diameter of approx. 36 mm.
Quickly and easily installed.

Colours Standard anodized aluminium/grey
Standard white RAL 9016
Other colours upon inquiry

Bottom bar RO Bottom weight aluminium

Colours Standard anodized aluminium/grey
Standard white RAL 9016
Other colours upon inquiry

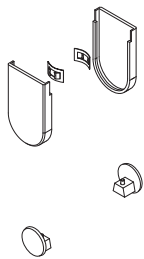


Bottom bar SL Weight flat-profile aluminium
Recommendation: fit chain stop!

Colours Standard anodized aluminium/grey
Standard white RAL 9016
Other colours upon inquiry

Bottom bar TEX Weight flat-profile, 6 x 20 mm,
sewn into the seam
Recommendation: fit chain stop!

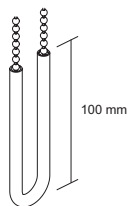
Option: ELOX 1 Design High-quality side cover on top and caps RO and SL weight in anodized aluminium, to match the anodized aluminium head profile/bottom bar instead of the plastic option



Operation A Nickel-plated metal chain
B Oval chain, grey plastic
Oval chain, white plastic
Either right or left

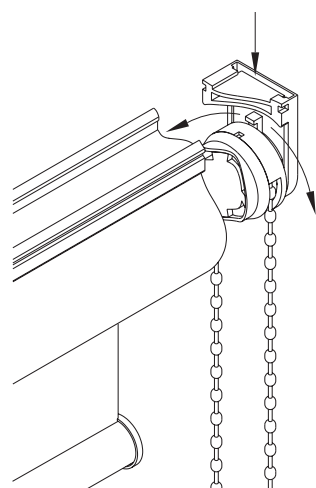
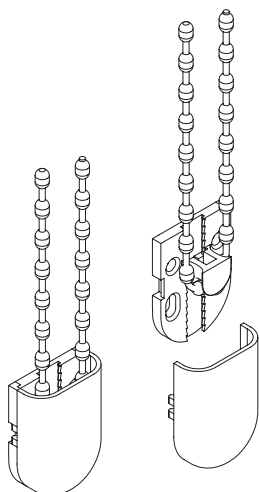


End stop Chain stop for adjustable end stop above and below. Can be fitted on site



Option:
 Cord and chain weight Weight in stainless steel
 INOX 90 weight 90 g
 Fitted with a looped chain at the works
 (chain stop not applicable)

SAFETY I Chain tensioner for child safety, keep chain out of the reach of children

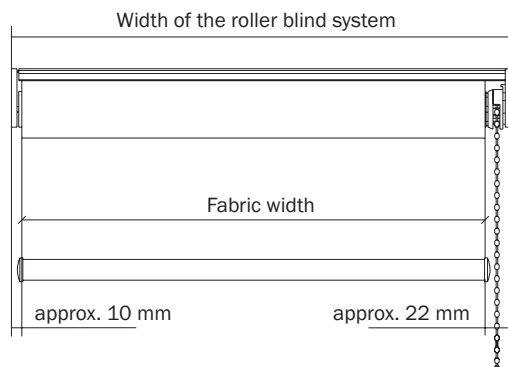


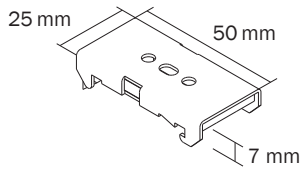
Fixing on ceiling or wall On site changing of chain guide by pushing and turning the chain wheel

Size of system Maximum width of 200 cm
 Maximum height of 300 cm

Fabric reeling Standard backward reeling,
 forward reeling upon inquiry

Fabric width Roller blind width - 3,2 cm



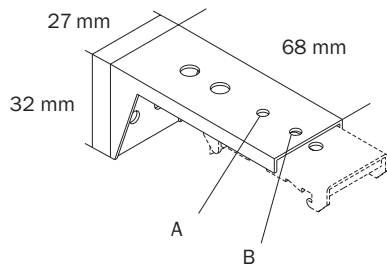


Clip Standard
 We deliver the roller blinds assembled, together with the corresponding metal clips.
 Position the clips/supporting brackets at approx. 4 to 6 cm from the end of the blind.

Up to 99 cm width: 2 pieces
 As of 100 cm up to 149 cm width: 3 pieces
 As of 150 cm up to 199 cm width: 4 pieces

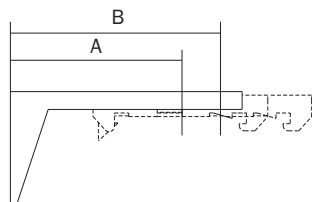
Colours
 Standard nickel-plated
 Standard white RAL 9016
 Other colours upon inquiry

Rapid and simple fixing with a shadow gap of approx. 7 mm

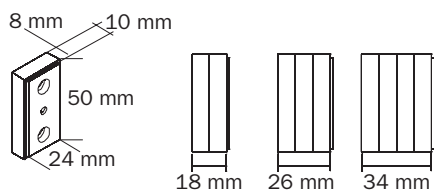


Supporting bracket
 Metal supporting bracket

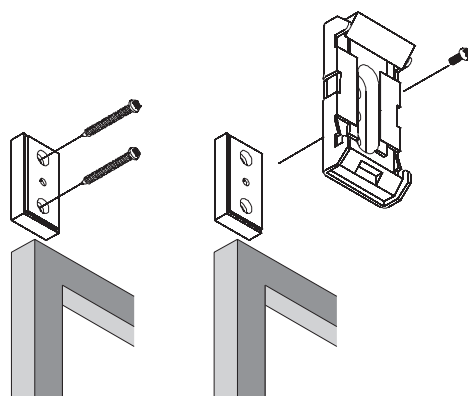
Colours
 Standard nickel-plated
 Standard white RAL 9016
 Other colours upon inquiry

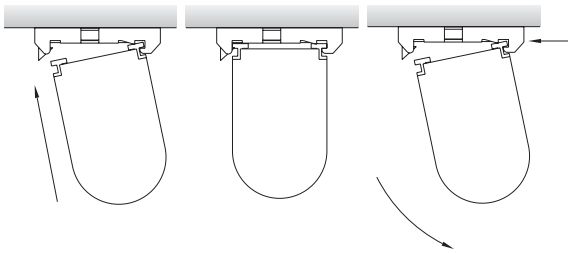


Projection A approx. 50 mm
 Projection B approx. 63 mm



Distance plate by clip installation
 Plastic distance plate transparent, small projection distance from wall thanks to the installation of one or several distance plates

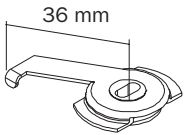




Function clip Insert the head profile into the clips and press. The roller blind will engage and be ready for use

Remove the blind by pressing the «Push» button

The clips shall be fixed straightened to the ceiling or the wall



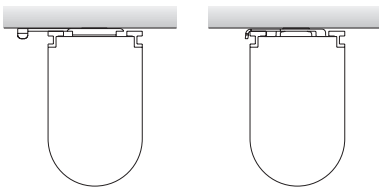
Tension jack We can deliver the blinds ready for installation, including the corresponding tension jacks upon inquiry

Colours

Standard nickel-plated

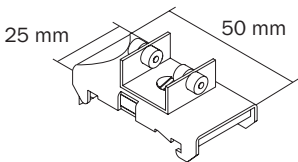
Minimum shadow gap of approx. 2 mm

Positioning of the tension jack at approx. 4 to 6 cm from the end of the blind

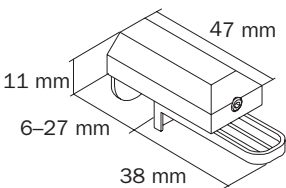


Function Tension jack

Up to 99 cm width: 2 pieces
As of 100 cm up to 149 cm width: 3 pieces
As of 150 cm up to 199 cm width: 4 pieces



Movable clip in Pantric 2–5 track

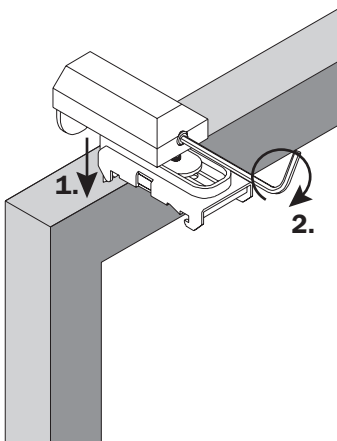


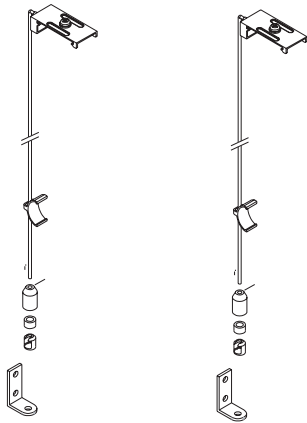
Clamping carrier Positioning of the blinds on the window casement by means of the clamping carrier (no drilling necessary)

Clamping distance (thickness of window frame) approx. 6–27 mm

Colours Standard grey nickel-plated
Standard white RAL 9016

Function clamping carrier

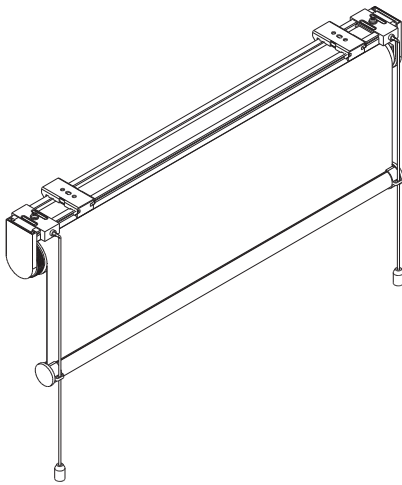




Cable guide set only
Bottom bar RO

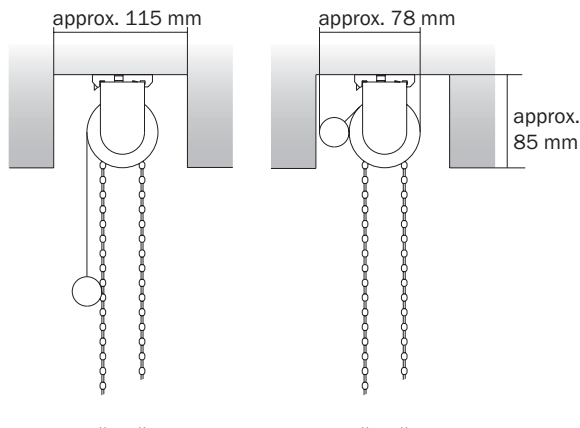
Set consists of:
2 cable profile guides
2 cables (plastic-sheathed)
length A = 350 cm, B = 450 cm
2 cable guide clips
2 stretching devices
2 wall holders

Colours
Standard grey
Standard white



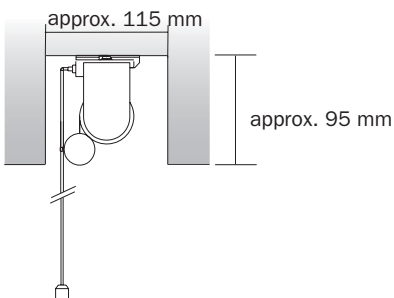
Installation procedure:

1. Fix the cable profile clips to the head profile by means of clamping screws
2. Fix the blind to the ceiling
3. Fix the cable guide clips to the bottom bar
4. Pull through the metal cable, fix the covering cap of the stretching device to the cable
5. Fix the stretching device, stretch and cover



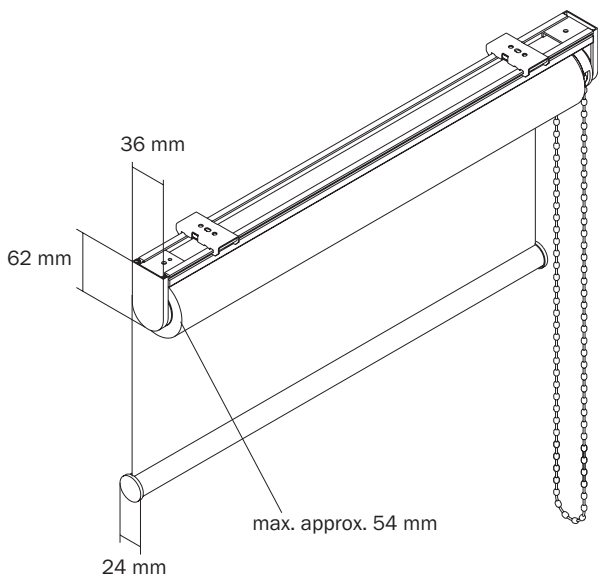
Groove
Clip/tension jack

Installation of the blinds in the groove



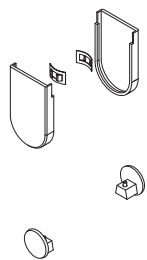
Groove
Cable guide

Installation of the blinds in the groove



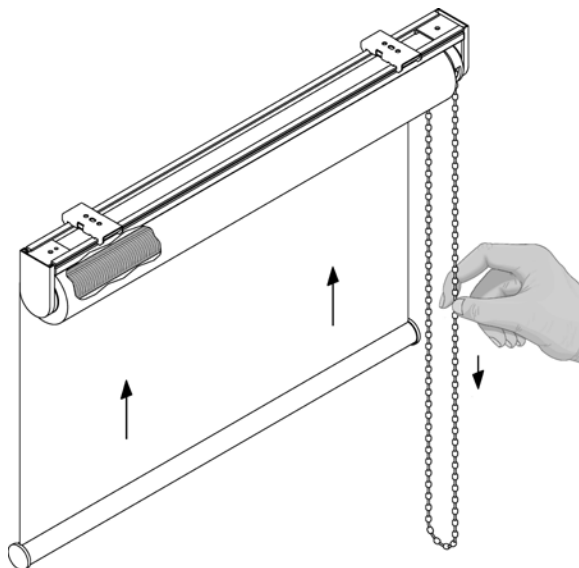
Technique The roller blind is manufactured out of high quality materials. Complete and ready for fitting, with a head profile and clips.
 Tube with a diameter of approx. 36 mm.
 Quickly and easily installed.

Colours Standard anodized aluminium/grey
 Standard white RAL 9016
 Other colours upon inquiry

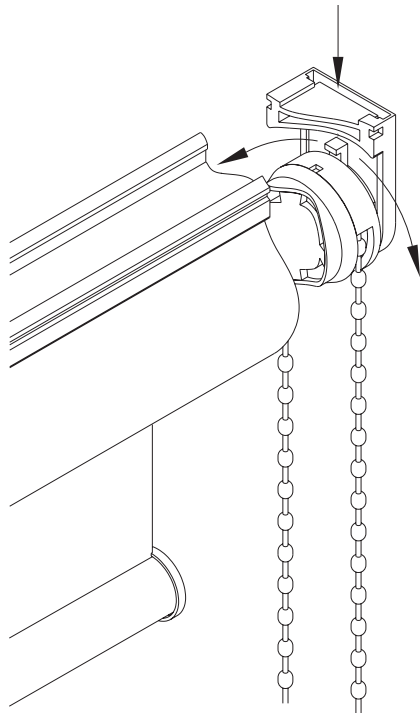


Option: High-quality side cover on top and caps RO weight in anodized aluminium, to match the anodized aluminium head profile/bottom bar, instead of the plastic option
Design

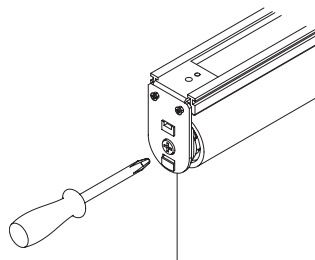
Operation A Nickel-plated metal chain
 B Oval chain, grey plastic
 Oval chain, white plastic
 Either right or left



Integrated lifting mechanism Pull gently on the chain.
 The blind will move upwards independently thanks to the spring mechanism



Fixing on ceiling or wall On site changing of chain guide by pushing and turning the chain wheel

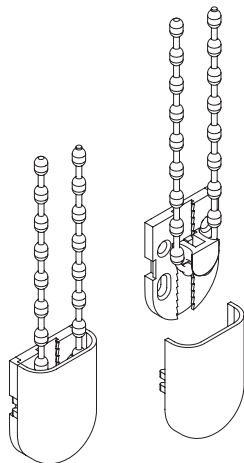


Spring tension Individual tensioning of spring:

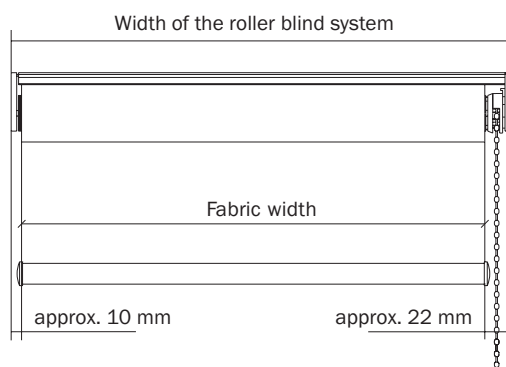
1. Remove the cover
2. Fix the stopper by turning in anti-clockwise rotation
3. Put on the cover

or

1. Remove the cover
2. Release the stopper by turning in clockwise rotation as long necessary
3. Put on the cover



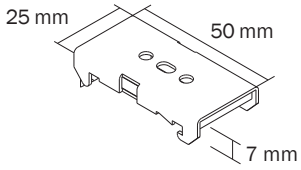
SAFETY I Chain tensioner for child safety, keep chain out of the reach of children



Size of system Maximum width of 200 cm
Maximum height of 300 cm

Fabric reeling For wall mounting, backward reeling only

Fabric width Roller blind width - 3,2 cm

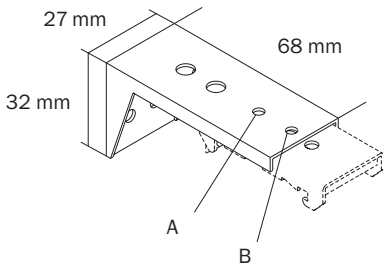


Clip Standard We deliver the roller blinds assembled, together with the corresponding metal clips.
Position the clips/supporting brackets at approx. 4 to 6 cm from the end of the blind.

Up to 99 cm width: 2 pieces
As of 100 cm up to 149 cm width: 3 pieces
As of 150 cm up to 199 cm width: 4 pieces

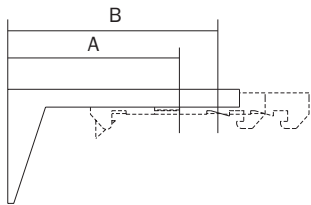
Colours Standard nickel-plated
Standard white RAL 9016
Other colours upon inquiry

Rapid and simple fixing with a shadow gap of approx. 7 mm

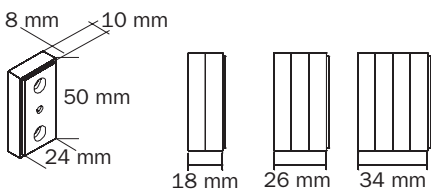


Supporting bracket Metal supporting bracket

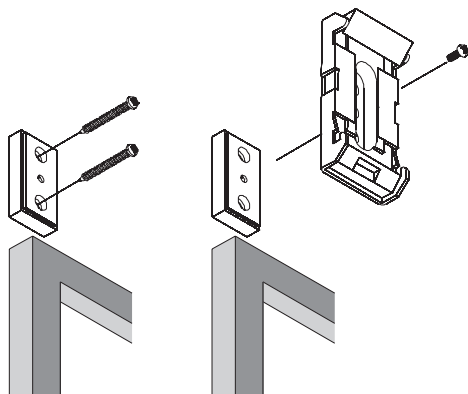
Colours Standard nickel-plated
Standard white RAL 9016
Other colours upon inquiry

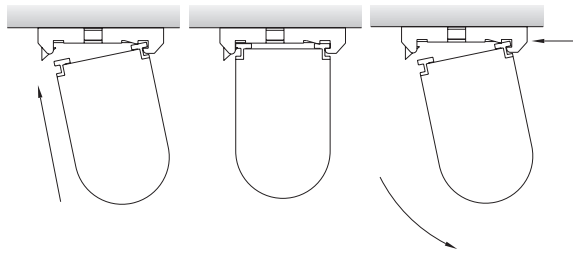


Projection A approx. 50 mm
Projection B approx. 63 mm



Distance plate by clip installation Plastic distance plate transparent, small projection distance from wall thanks to the installation of one or several distance plates

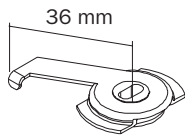




Function clip Insert the head profile into the clips and press. The roller blind will engage and be ready for use

Remove the blind by pressing the «Push» button

The clips shall be fixed straightened to the ceiling or the wall

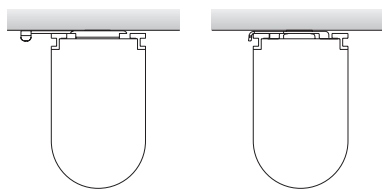


Tension jack We can deliver the blinds ready for installation, including the corresponding tension jacks upon inquiry

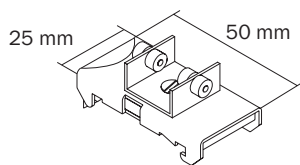
Colours Standard nickel-plated

Minimum shadow gap of approx. 2 mm

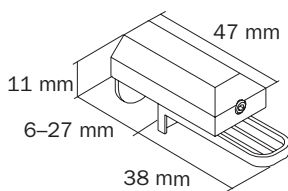
Positioning of the tension jack at approx. 4 to 6 cm from the end of the blind



Function Tension jack Up to 99 cm width: 2 pieces
As of 100 cm up to 149 cm width: 3 pieces
As of 150 cm up to 199 cm width: 4 pieces



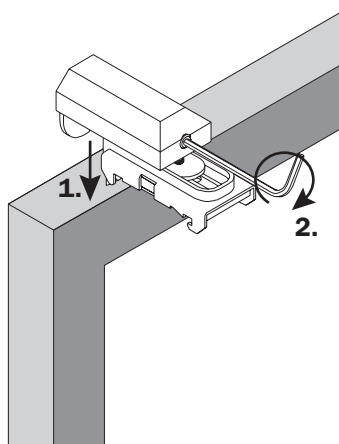
Movable clip in Pantric 2-5 track

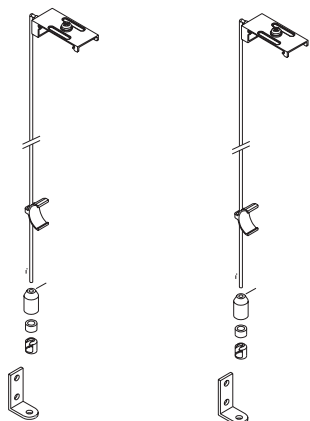


Clamping carrier Positioning of the blinds on the window casement by means of the clamping carrier (no drilling necessary)

Clamping distance (thickness of window frame) approx. 6-27 mm

Colours Standard grey nickel-plated
Standard white RAL 9016

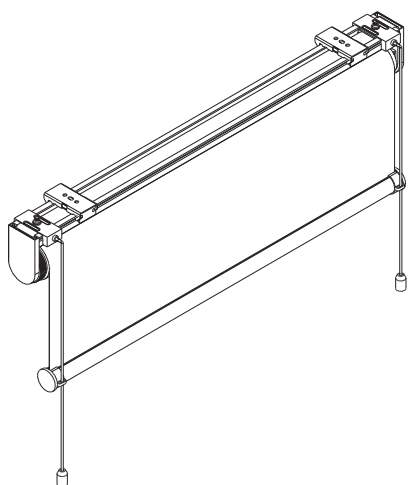




Cable guide set only
Bottom bar RO

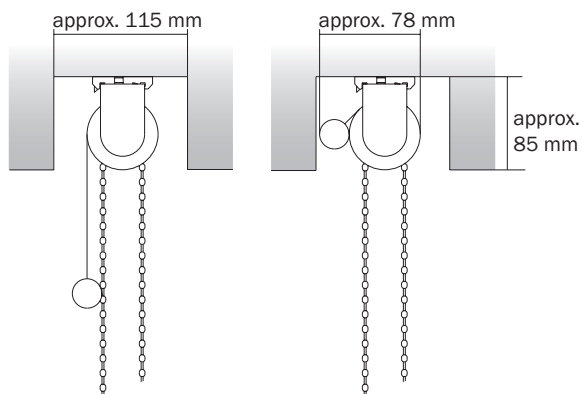
Set consists of:
2 cable profile guides
2 cables (plastic-sheathed)
length A = 350 cm, B = 450 cm
2 cable guide clips
2 stretching devices
2 wall holders

Colours
Standard grey
Standard white

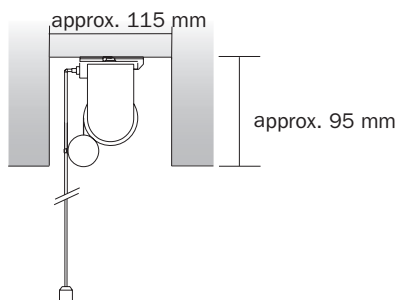


Installation procedure:

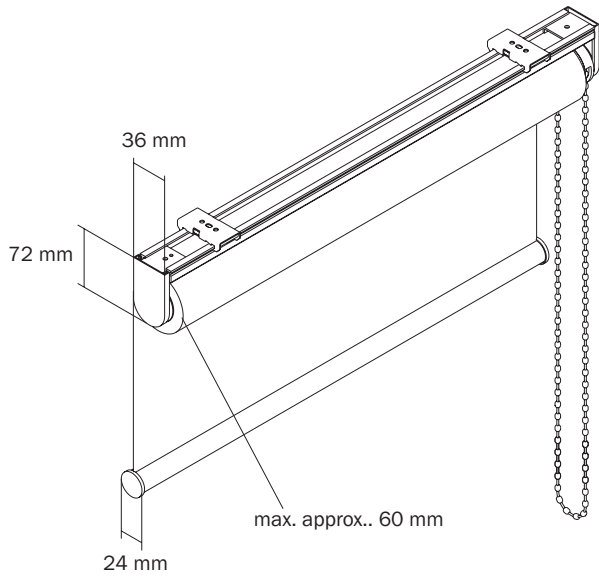
1. Fix the cable profile clips to the head profile by means of clamping screws
2. Fix the blind to the ceiling
3. Fix the cable guide clips to the bottom bar
4. Pull through the metal cable, fix the covering cap of the stretching device to the cable
5. Fix the stretching device, stretch and cover



Groove Clip/tension jack
Installation of the blinds in the groove



Groove Cable guide
Installation of the blinds in the groove

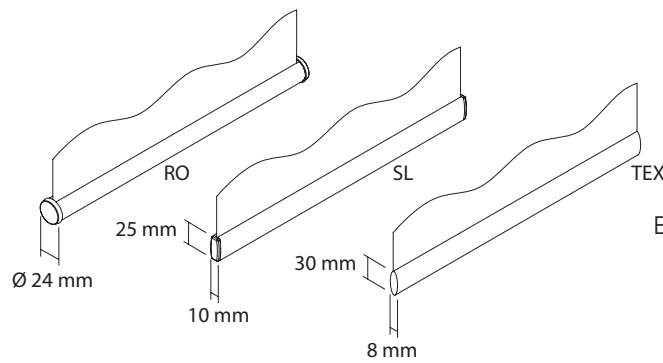


Technique The roller blind is manufactured out of high quality materials. Complete and ready for fitting, with a head profile and clips.
 Tube with a diameter of approx. 46 mm.
 Quickly and easily installed.

Colours Standard anodized aluminium/grey
 Standard white RAL 9016
 Other colours upon inquiry

Bottom bar RO Bottom weight aluminium

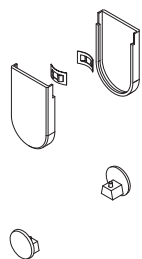
Colours Standard anodized aluminium/grey
 Standard white RAL 9016
 Other colours upon inquiry



Bottom bar SL Weight flat-profile aluminium
 Recommendation: fit chain stop!

Colours Standard anodized aluminium/grey
 Standard white RAL 9016
 Other colours upon inquiry

Bottom bar TEX Weight flat-profile, 6 x 20 mm,
 sewn into the seam
 Recommendation: fit chain stop!



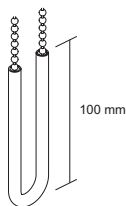
Option: ELOX 2 Design High-quality side cover on top and caps RO and SL weight in anodized aluminium, to match the anodized aluminium head profile/bottom bar, instead of the plastic option



Operation A Nickel-plated metal chain
 B Oval chain, grey plastic
 Oval chain, white plastic
 Either right or left

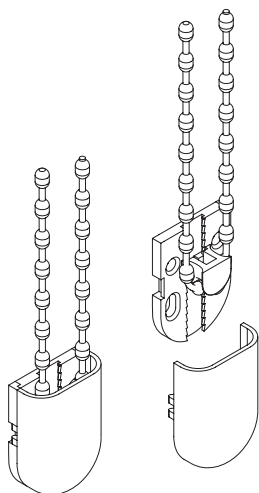


End stop Chain stop for adjustable end stop above and below. Can be fitted on site



Option:
 Cord and chain weight Weight in stainless steel INOX 90 weight 90 g
 Fitted with a looped chain at the works (chain stop not applicable)

SAFETY I Chain tensioner for child safety, keep chain out of the reach of children

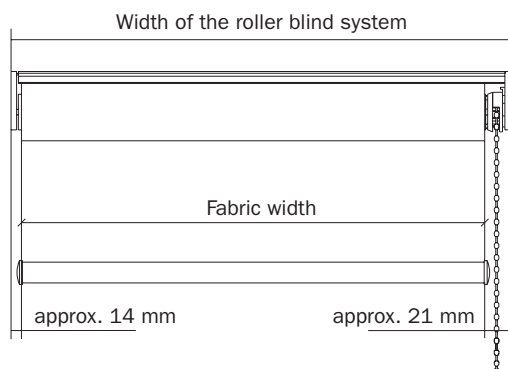
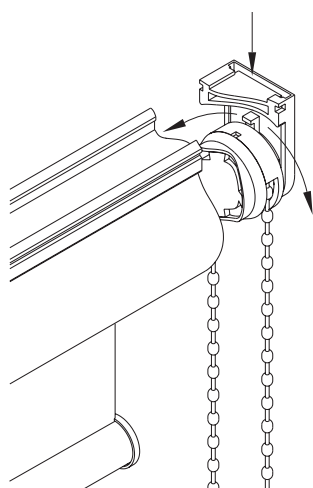


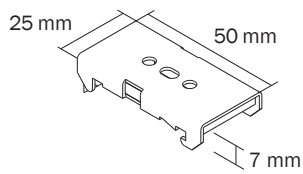
Fixing on ceiling or wall On site changing of chain guide by pushing and turning the chain wheel

Size of system Maximum width of 250 cm
 Maximum height of 360 cm

Fabric reeling Standard backward reeling, forward reeling upon inquiry

Fabric width Roller blind width - 3,5 cm



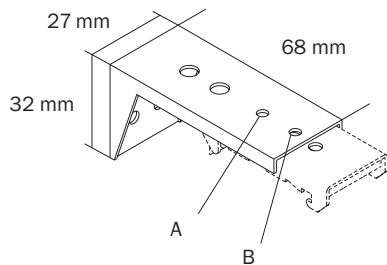


Clip Standard
 We deliver the roller blinds assembled, together with the corresponding metal clips.
 Position the clips/supporting brackets at approx. 4 to 6 cm from the end of the blind

Up to 99 cm width: 2 pieces
 As of 100 cm up to 149 cm width: 3 pieces
 As of 150 cm up to 199 cm width: 4 pieces
 As of 200 cm up to 250 cm width: 5 pieces

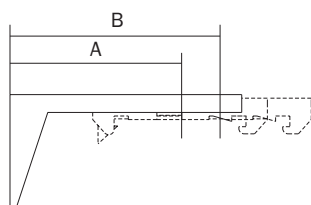
Colours
 Standard nickel-plated
 Standard white RAL 9016
 Other colours upon inquiry

Rapid and simple fixing with a shadow gap of approx. 7 mm

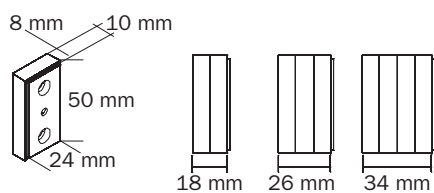


Supporting bracket
 Metal supporting bracket

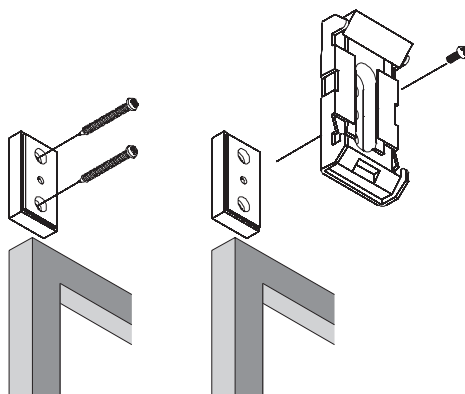
Colours
 Standard nickel-plated
 Standard white RAL 9016
 Other colours upon inquiry

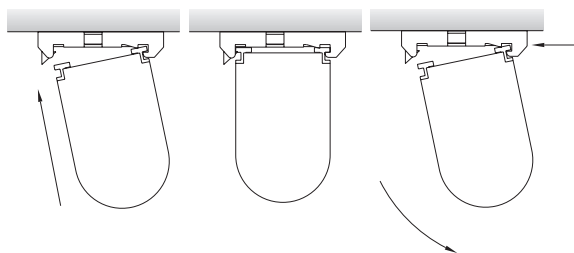


Projection A approx. 50 mm
 Projection B approx. 63 mm



Distance plate by clip installation
 Plastic distance plate transparent, small projection distance from wall thanks to the installation of one or several distance plates

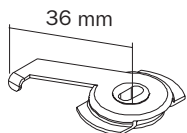




Function clip Insert the head profile into the clips and press. The roller blind will engage and be ready for use

Remove the blind by pressing the «Push» button

The clips shall be fixed straightened to the ceiling or the wall

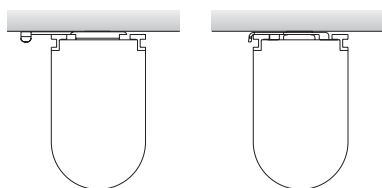


Tension jack We can deliver the blinds ready for installation, including the corresponding tension jacks upon inquiry

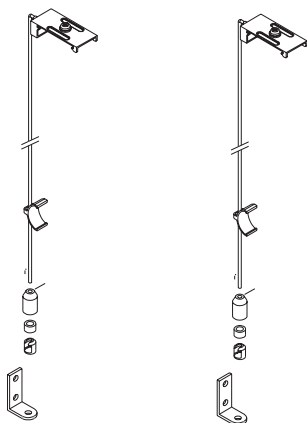
Colours Standard nickel-plated

Minimum shadow gap of approx. 2 mm

Positioning of the tension jack at approx. 4 to 6 cm from the end of the blind

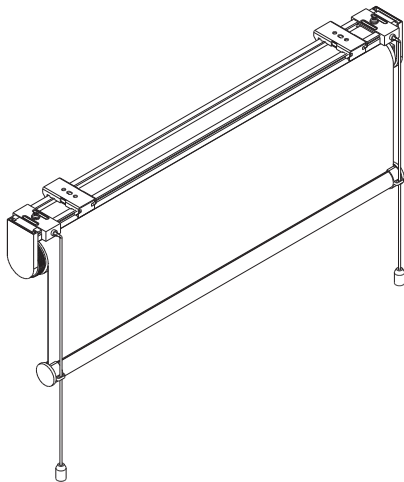


Function Tension jack Up to 99 cm width 2 pieces
As of 100 cm up to 149 cm width 3 pieces
As of 150 cm up to 199 cm width 4 pieces
As of 200 cm up to 250 cm width 5 pieces



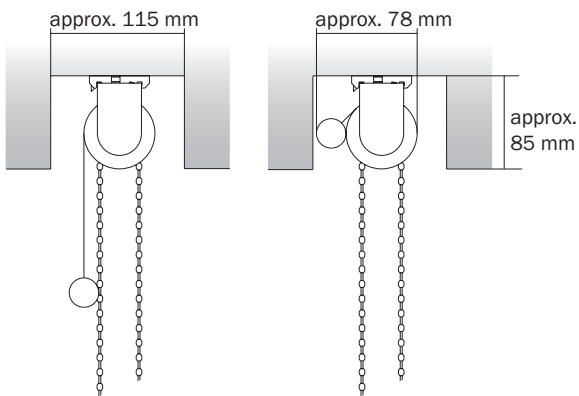
Cable guide set Set consists of:
2 cable profile guides
only 2 cables (plastic-sheathed)
Bottom weight length A = 350 cm, B = 450 cm
RO 2 cable guide clips
2 stretching devices
2 wall holders

Colours Standard grey
Standard white



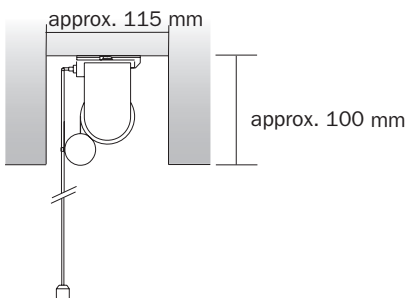
Installation procedure:

1. Fix the cable profile clips to the head profile by means of clamping screws
2. Fix the blind to the ceiling
3. Fix the cable guide clips to the bottom bar
4. Pull through the metal cable, fix the covering cap of the stretching device to the cable
5. Fix the stretching device, stretch and cover



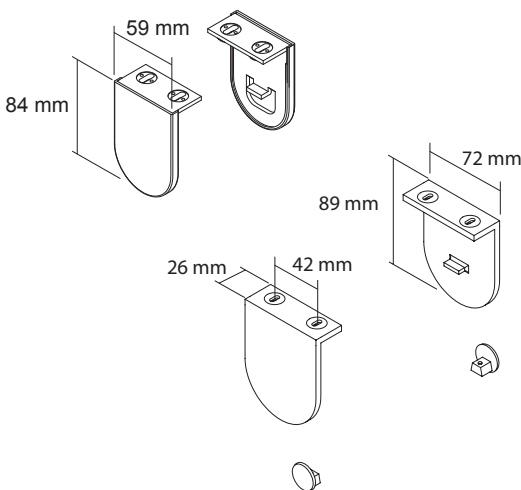
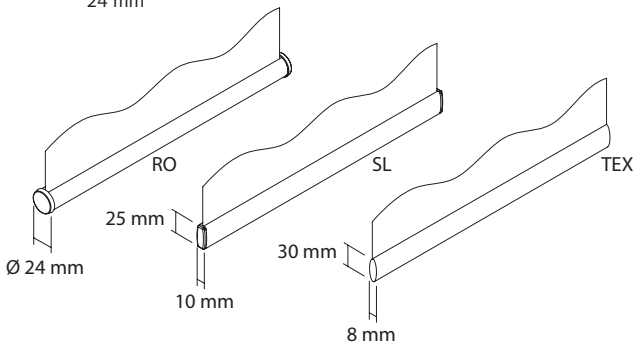
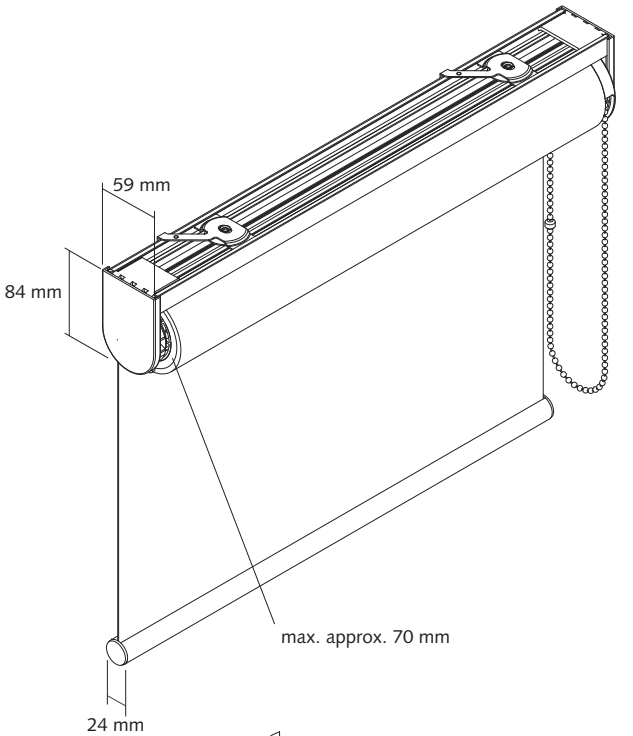
Groove
Clip/tension jack

Installation of the blinds in the groove



Groove
Cable guide

Installation of the blinds in the groove



Technique Large surface-area side-operated roller blind made of high-quality materials. Complete and ready-to-fit using a head profile and tension jack. Roller blind tube approx. 52 mm & 65 mm diameter

Colours Standard anodized aluminium/grey
Standard white RAL 9016
Other colours upon inquiry

Bottom bar RO Bottom weight aluminium

Colours Standard anodized aluminium/grey
Standard white RAL 9016
Other colours upon inquiry

Bottom bar SL Weight flat-profile aluminium
Recommendation: fit chain stop!

Colours Standard anodized aluminium/grey
Standard white RAL 9016
Other colours upon inquiry

Bottom bar TEX Weight flat-profile, 6 x 20 mm, sewn into the seam
Recommendation: fit chain stop!

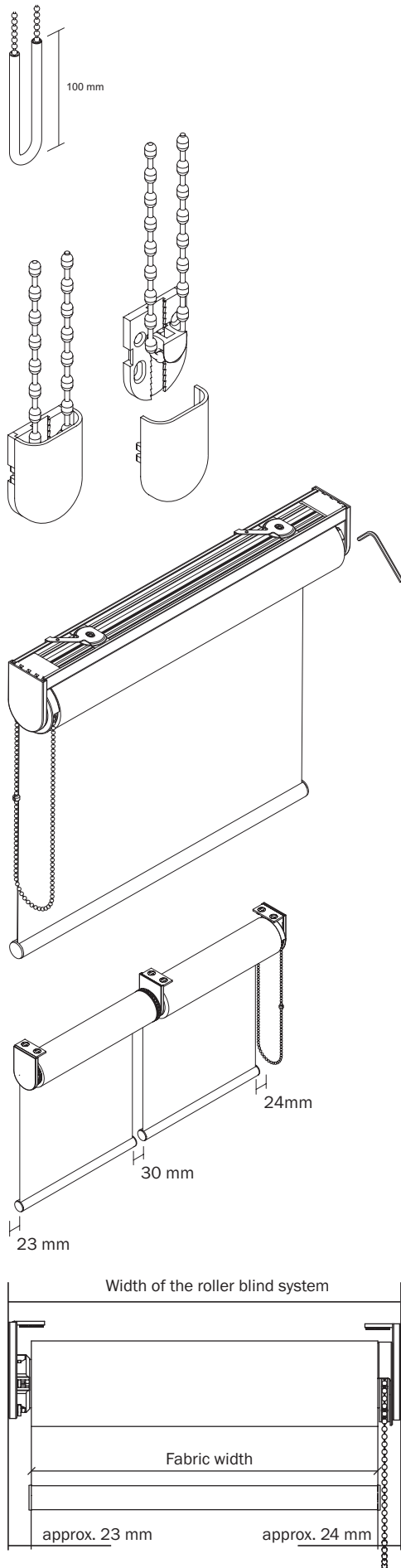
Side support Optionally available only with side support, in white and grey with plastic side cover

Option: ELOX 3 Design High-quality side support on top and caps RO and SL weight in anodized aluminium, to match the anodized aluminium bottom bar, instead of the plastic option.
Not available with head profile

Operation A Nickel-plated metal chain
B Plastic chain
white
grey

Either right or left

End stop Chain stop for adjustable end stop above and below. Can be fitted on site



Option:
 Cord and chain weight Weight in stainless steel INOX 90 weight 90 g
 Fitted with a looped chain at the works (chain stop not applicable)

SAFETY I Chain tensioner for child safety, keep chain out of the reach of children

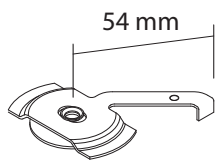
Adjustable counter bearing The roller blind can be levelled on site by turning the Allen screw

Size of system Maximum width of 300 cm
 Maximum height of 400 cm

Fabric reeling Standard backward reeling, forward reeling upon inquiry

Linking Simultaneous operation with up to 3 roller blinds on a single drive, to be mounted on the left or on the right, with a total surface of max. 15 m² max. weight 5 kg.
 Not available with head profile

Fabric width Roller blind width -4,7 cm

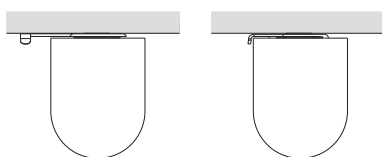


Tension jack standard We deliver the blinds assembled, together with the corresponding tension jacks

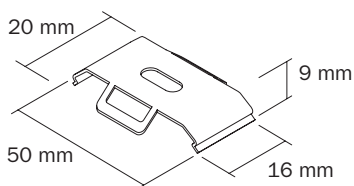
Colours Standard nickel-plated

Minimum shadow gap of approx. 2 mm

Positioning of the tension jack at approx. 8 to 10 cm from the end of the blind:



Funktion Up to 99 cm width 2 pieces
 Spanner As of 100 cm up to 149 cm width 3 pieces
 As of 150 cm up to 199 cm width 4 pieces
 As of 200 cm up to 250 cm width 5 pieces

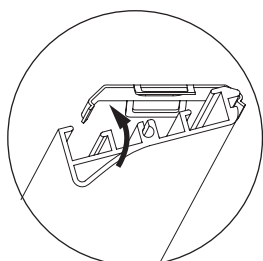


Clip We supply the roller blinds fully assembled with the relevant clip installation arrangement approx. 8 to 10 cm from the end of the blind:

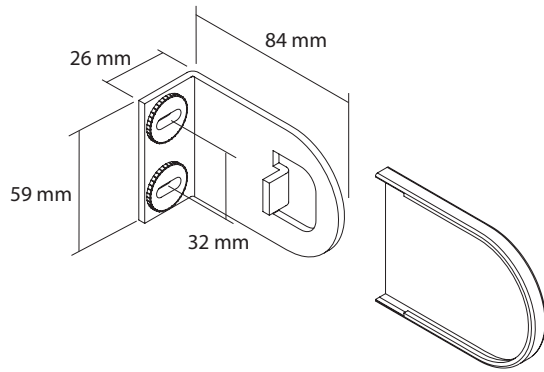
up to 99 cm width: 2 pieces
 as of 100 cm up to 149 cm width: 3 pieces
 as of 150 cm up to 199 cm width: 4 pieces
 as of 200 cm up to 250 cm width: 5 pieces

Colours Standard nickel-plated
 Standard white RAL 9016
 Other colours upon inquiry

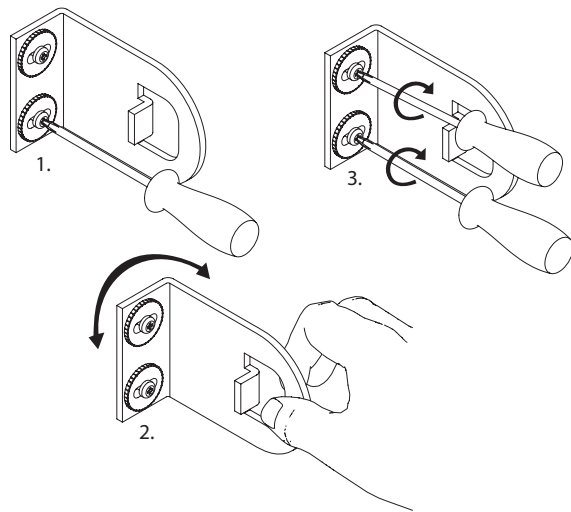
The clips shall be fixed straightened to the ceiling or the wall



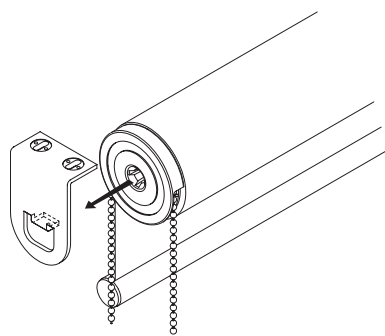
Function clip Fit the head profile with its rear side in the clips.
 Then press the front of the roller blind upwards into the clips until it locks in



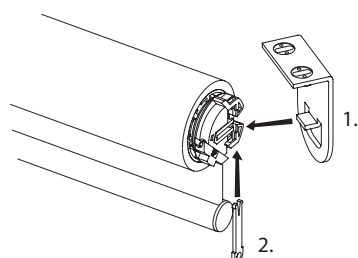
Side support Robust metal support with plastic side cover



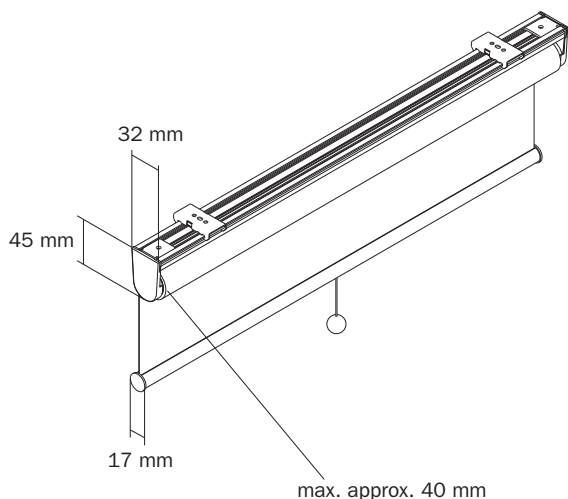
Adjusting plates 360° adjusting plates for simple, accurate installation



Installation on chain winder side

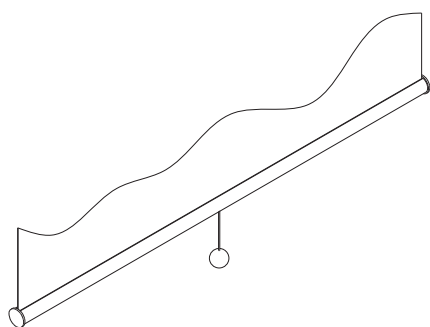


Installation on the opposite side



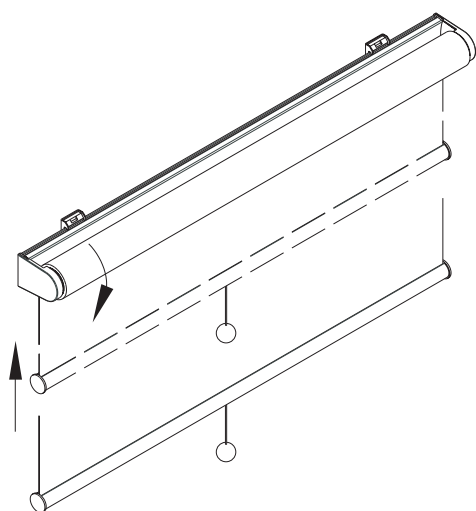
Technique The roller blind with spring mechanism is manufactured out of high quality materials. Complete and ready for fitting, with a head profile and clips. Tube with a diameter of approx. 26 mm. Quickly and easily installed.

Colours Standard anodized aluminium/grey
Standard white RAL 9016
Other colours upon inquiry



Operation Independent gentle reeling of the fabric; no guidance required thanks to the integrated upper stopper
Pull cord
Standard

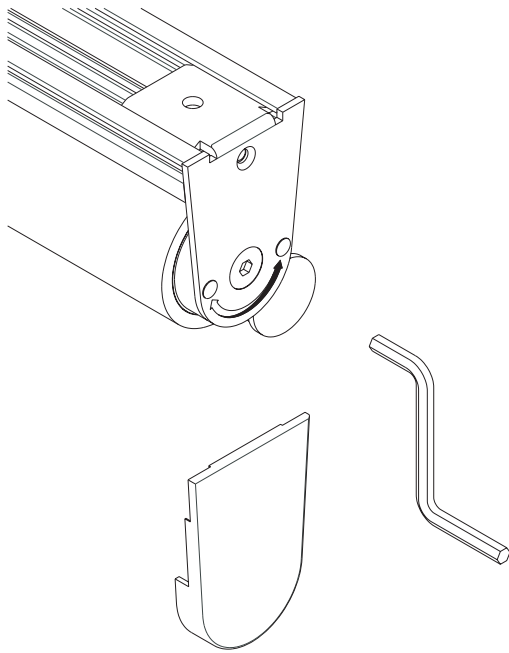
Colours Standard grey
Standard white



Upper stopper Variably adjustable stopper positioning on the left, forward or backward reeling
standard

On site procedure:

1. Remove cover
2. Insert key (re. spring tension)
3. Release stopper by turning in arrow direction (neutral position)
4. Determine and fix at new hanging height
5. Fix stopper by turning the key in arrow direction (black)

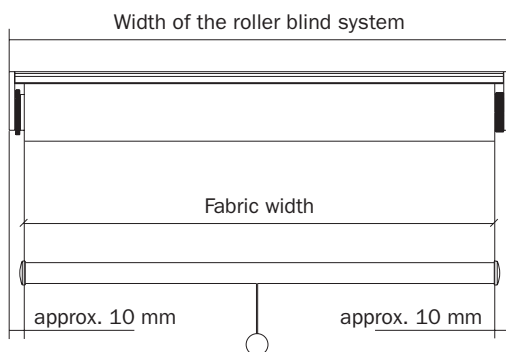


Spring tension Position the spring tension mechanism by means of the corresponding key (part of delivery), please position it on the right hand side of the installation

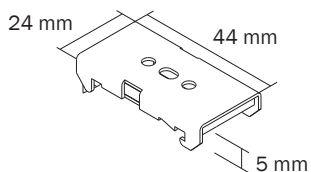
1. Remove the cover
2. Insert the key
3. Release the stopper by turning in arrow direction (neutral position)
4. Fix the stopper by turning the key in arrow direction (black)

Size of system Maximum width of 140 cm
Maximum height of 200 cm

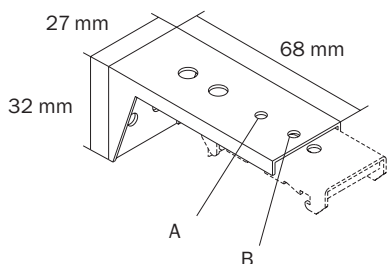
Fabric reeling Standard backward reeling,
forward reeling upon inquiry



Fabric width Roller blind width -2,0 cm



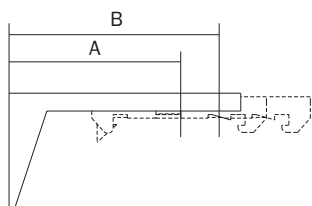
Clip We deliver the roller blinds assembled, together with the corresponding metal clips.
 Position the clips/supporting brackets at approx. 4 to 6 cm from the end of the blind.
 Up to 100 cm width: 2 pieces
 As of 101 cm width: 3 pieces



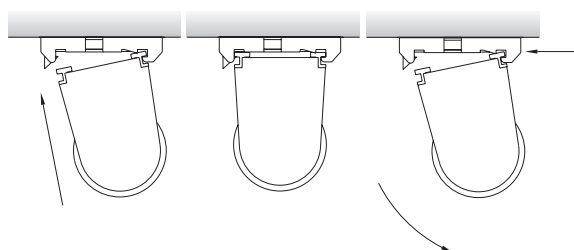
Colours Standard nickel-plated
 Standard white RAL 9016

Supporting bracket Metal supporting bracket

Colours Standard nickel-plated
 Standard white RAL 9016
 Other colours upon inquiry



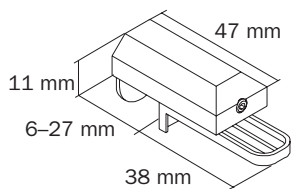
Projection A approx. 50 mm
 Projection B approx. 63 mm



Function clip Insert the head profile into the clips and press. The roller blind will engage and be ready for use

Remove the blind by pressing the «Push» button

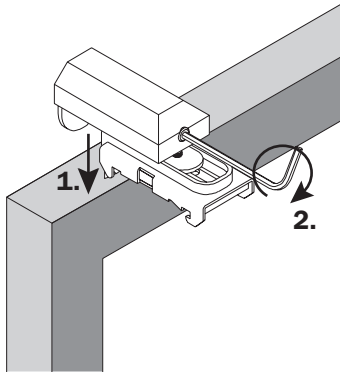
The clips shall be fixed straightened to the ceiling or the wall



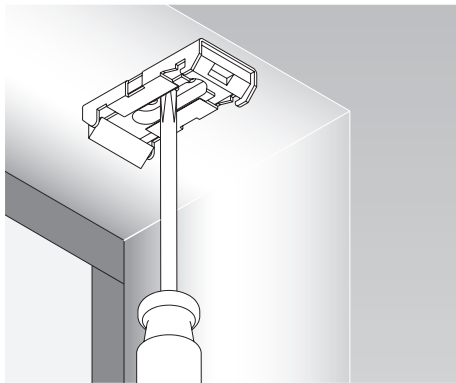
Clamping carrier Positioning of the blinds on the window casement by means of the clamping carrier (no drilling necessary)

Clamping distance (thickness of window frame) approx. 6-27 mm

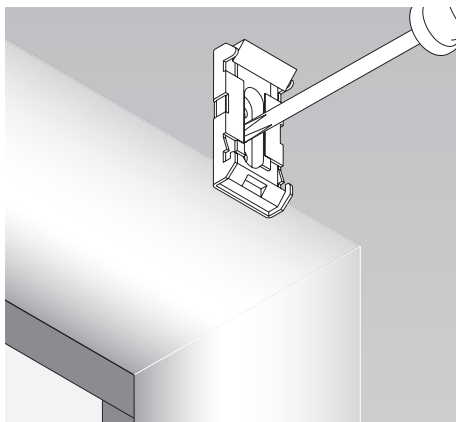
Colours Standard grey nickel-plated
 Standard white RAL 9016



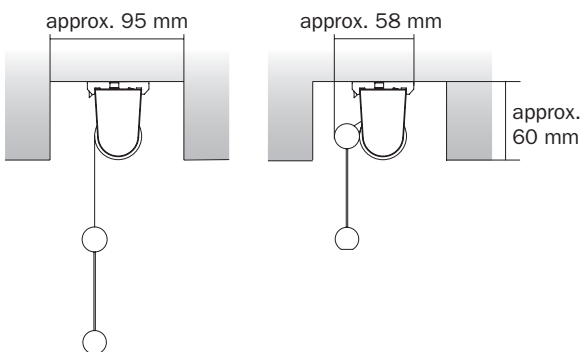
Function
clamping carrier



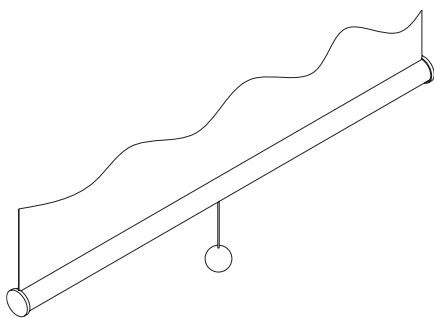
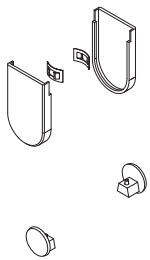
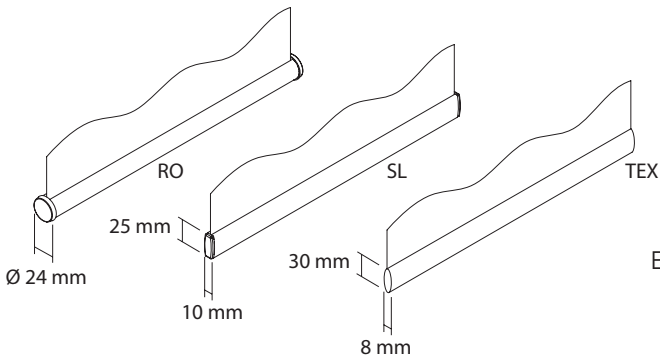
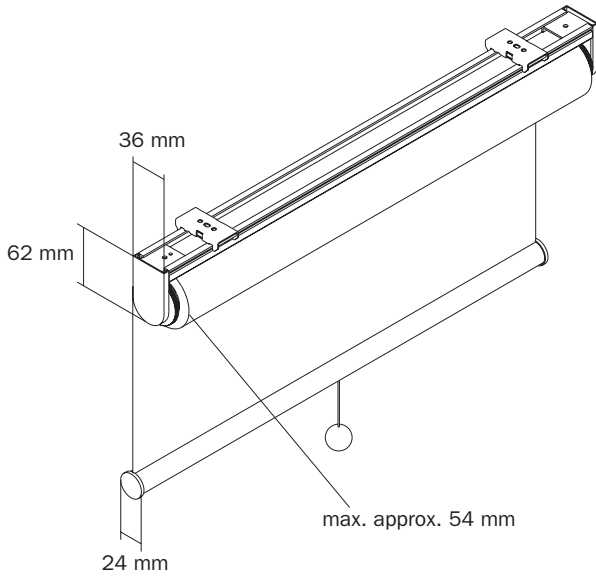
Ceiling Positioning of the clips on the niche or on the ceiling



Wall Positioning of the clips on the wall



Installation of the blinds in the groove



Technique The roller blind with spring mechanism is manufactured out of high quality materials. Complete and ready for fitting, with a head profile and clips. Tube with a diameter of approx. 36 mm.
Quickly and easily installed

Colours Standard anodized aluminium/grey
Standard white RAL 9016
Other colours upon inquiry

Bottom bar RO Bottom weight aluminium

Colours Standard anodized aluminium/grey
Standard white RAL 9016
Other colours upon inquiry

Bottom bar SL Weight flat-profile aluminium
Only with stopper!

Colours Standard anodized aluminium/grey
Standard white RAL 9016
Other colours upon inquiry

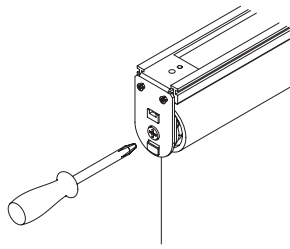
Bottom bar TEX Weight flat-profile, 6 x 20 mm,
sewn into the seam
Only with stopper!

Option:
ELOX 1 High-quality side cover on top and caps RO and SL weight in anodized aluminium, to match the anodized aluminium head profile/bottom bar, instead of the plastic option

Operation Independent gentle reeling of the fabric. Running speed slows down towards the top.
Pull cord
Standard No guidance necessary

Bottom weight only RO

Colours Standard grey
Standard white

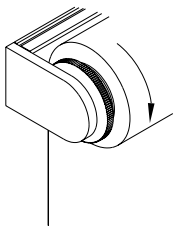


Spring tension Individual tensioning of spring:

1. Remove the cover
2. Fix the stopper by turning in anti-clockwise rotation
3. Put on the cover

or

1. Remove the cover
2. Release the stopper by turning in clockwise rotation as long necessary
3. Put on the cover

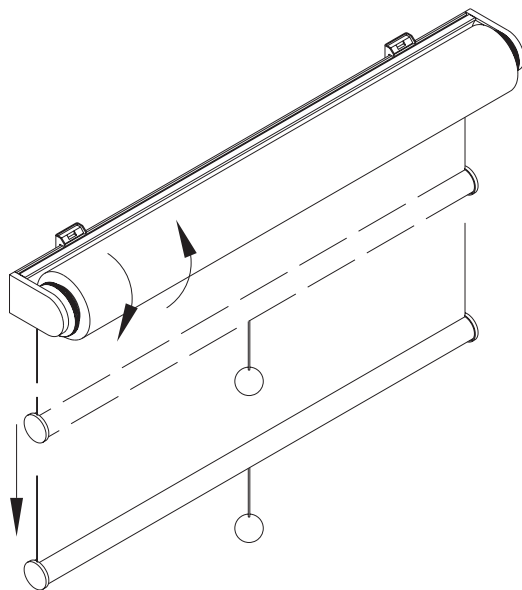


Upper stopper Adjustable stopper thanks to the additional stop controller. To be positioned on the left, for versions that can be reeled backwards. Minimum roller blind width: 40 cm

On-site adjustment:

Releasing of stop controller by turning the corresponding ring downwards (re. illustration)

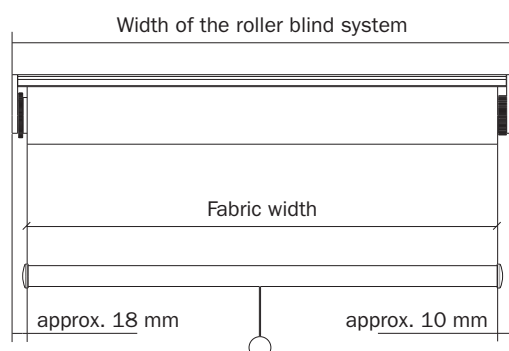
Position the fabric at the desired height and hold them there



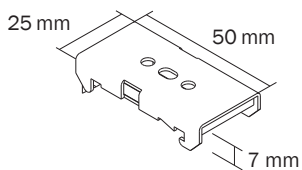
Fix the stop controller by turning the corresponding ring in the opposite direction until it engages (re. picture)

Size of system Maximum width of 200 cm
Maximum height of 300 cm

Fabric reeling Standard backward reeling, forward reeling upon inquiry (recommendation: use stop controller)



Fabric width Roller blind width -2,1 cm
Roller blind width -2,8 cm
(stop controller)

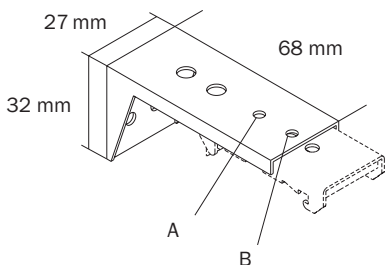


Clip Standard We deliver the roller blinds assembled, together with the corresponding metal clips.
Position the clips/supporting brackets at approx. 4 to 6 cm from the end of the blind.

Up to 99 cm width: 2 pieces
As of 100 cm up to 149 cm width: 3 pieces
As of 150 cm up to 199 cm width: 4 pieces

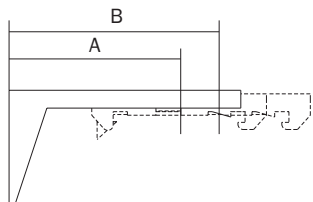
Colours Standard nickel-plated
Standard white RAL 9016
Other colours upon inquiry

Rapid and simple fixing with a shadow gap of approx. 7 mm

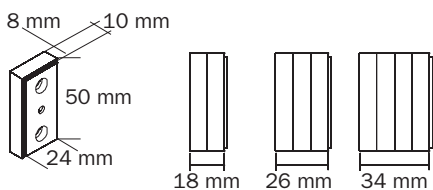


Supporting bracket Metal supporting bracket

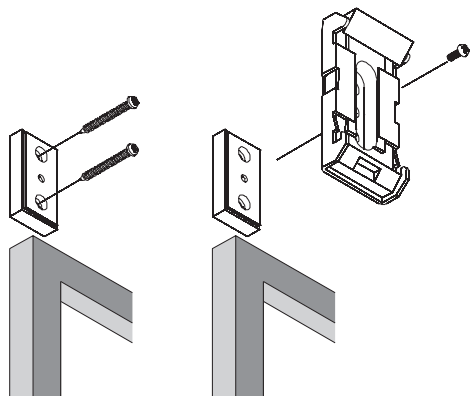
Colours Standard nickel-plated
Standard white RAL 9016
Other colours upon inquiry

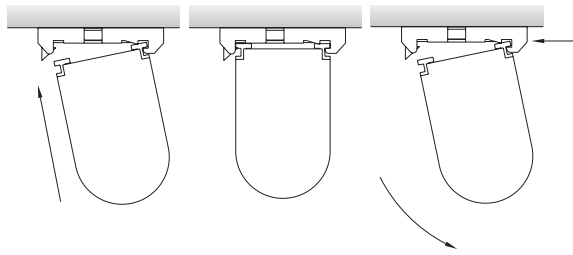


Projection A approx. 50 mm
Projection B approx. 63 mm



Distance plate by clip installation Plastic distance plate transparent, small projection distance from wall thanks to the installation of one or several distance plates

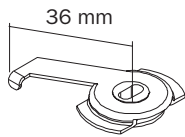




Function clip Insert the head profile into the clips and press. The roller blind will engage and be ready for use

Remove the blind by pressing the «Push» button

The clips shall be fixed straightened to the ceiling or the wall

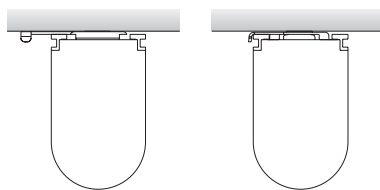


Tension jack We can deliver the blinds ready for installation, including the corresponding tension jacks upon inquiry

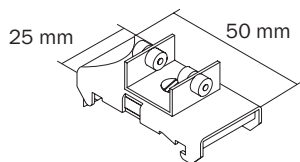
Colours Standard nickel-plated

Minimum shadow gap of approx. 2 mm

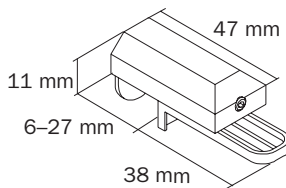
Positioning of the tension jack at approx. 4 to 6 cm from the end of the blind



Function Tension jack	Up to 99 cm width: 2 pieces
	As of 100 cm up to 149 cm width: 3 pieces
	As of 150 cm up to 199 cm width: 4 pieces



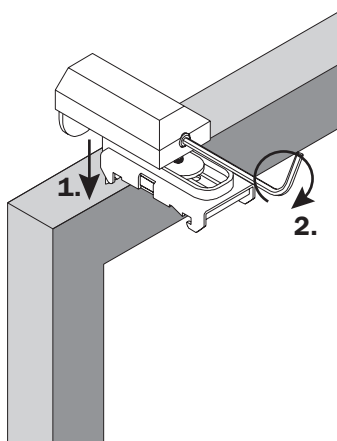
Movable clip in Pantric 2-5 track

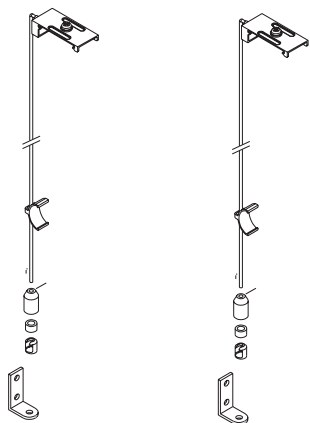


Clamping carrier Positioning of the blinds on the window casement by means of the clamping carrier (no drilling necessary)

Clamping distance (thickness of window frame) approx. 6-27 mm

Colours Standard grey nickel-plated
Standard white RAL 9016

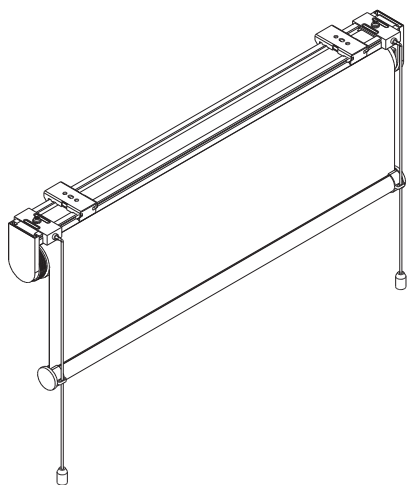




Cable guide set only
Bottom bar RO

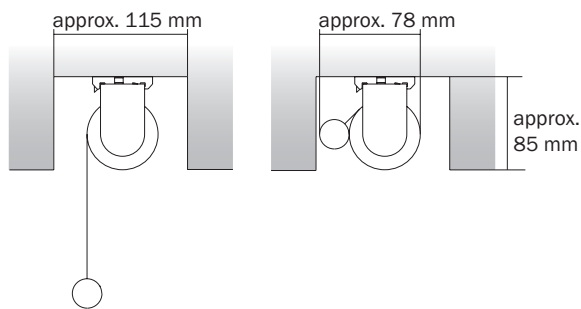
Set consists of:
2 cable profile guides
2 cables (plastic-sheathed)
length A = 350 cm, B = 450 cm
2 cable guide clips
2 stretching devices
2 wall holders

Colours
Standard grey
Standard white

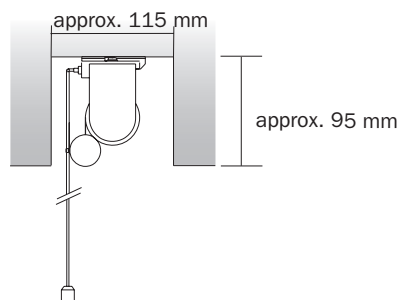


Installation procedure:

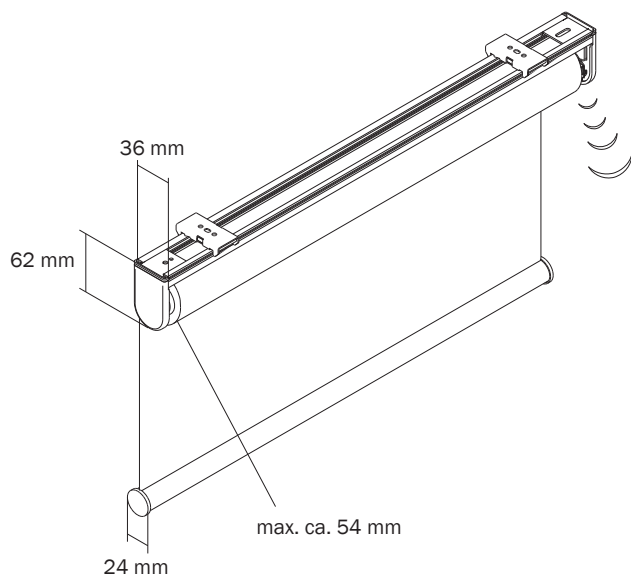
1. Fix the cable profile clips to the head profile by means of clamping screws
2. Fix the blind to the ceiling
3. Fix the cable guide clips to the bottom bar
4. Pull through the metal cable, fix the covering cap of the stretching device to the cable
5. Fix the stretching device, stretch and cover



Groove Clip/tension jack
Installation of the blinds in the groove



Groove Cable guide
Installation of the blinds in the groove

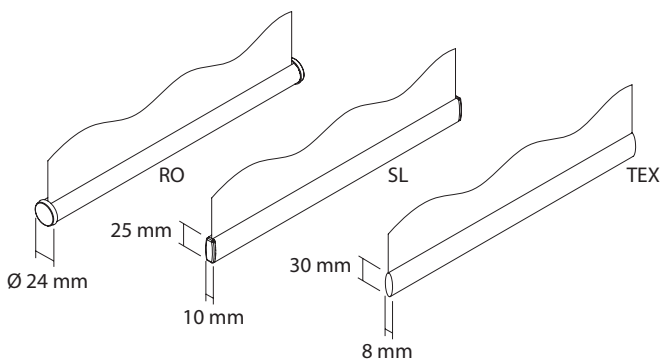


Technique The battery roller blind for simply assembly. Completely ready for installation, with head profile and clips. Tube of approx. 36 mm diameter. Motor arrangement right or left

Motor 12-Volt DC motor
somfy® Noise level < 49 dBA
 Nominal rotation speed approx. 28 RPM adjustable
 With overload protection

Li-ion battery Fully integrated lithium ion battery
 Charging frequency: ones or twice a year

Colours Standard anodized aluminium/grey
 Standard white RAL 9016
 Other colours upon inquiry



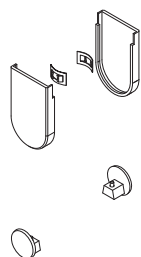
Bottom bar RO Bottom weight aluminium

Colours Standard anodized aluminium/grey
 Standard white RAL 9016
 Other colours upon inquiry

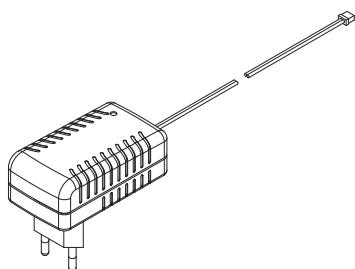
Bottom bar SL Weight flat-profile aluminium
 Only with stopper!

Colours Standard anodized aluminium/grey
 Standard white RAL 9016
 Other colours upon inquiry

Bottom bar TEX Weight flat-profile, 6 x 20 mm,
 sewn into the seam
 Only with stopper!

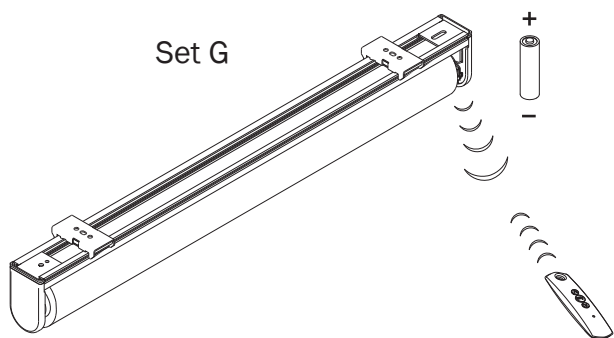


Option:
ELOX 1 Design High-quality side cover on top and caps RO and SL weight in anodized aluminium, to match the anodized aluminium head profile/bottom bar, instead of the plastic option

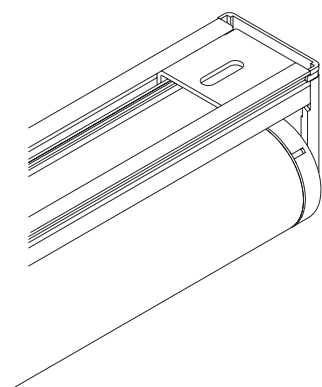


charger With integrated loading situation display 0.65A DC 230/13 V

Colour Standard white



Operation/
control Radio hand transmitters, radio wall transmitters and house controls

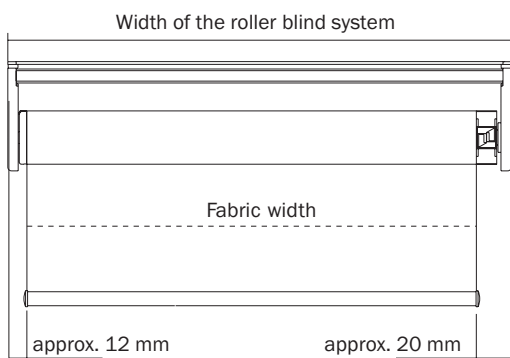


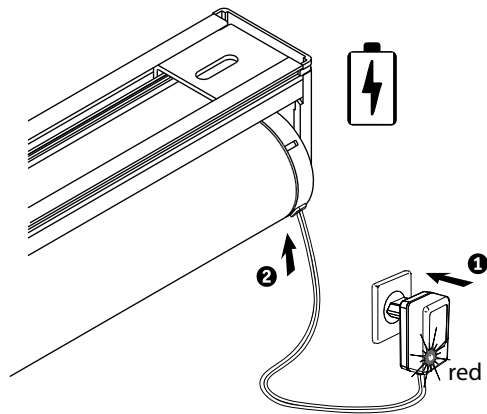
Stopper Setting up of upper and lower limit stop at the factory, fine adjustment on site possible

Size of system Maximum width of 200 cm
Maximum height of 300 cm

Fabric reeling Standard backward reeling,
forward reeling upon inquiry

Fabric width Roller blind width: -3,2 cm



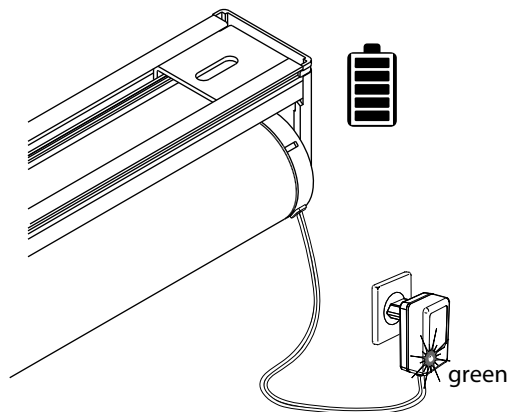


Recharge of battery

A light on the engine and the reduced drive speed signal low battery level. If a red indicator light on the engine flashes five times in succession by attempting to operate the roller blind with the transmitter, this means a low battery level.

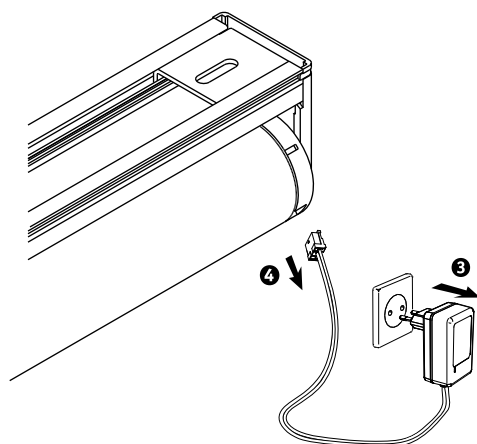
Charging process

Connect the charger to a 230 V power supply, then connect the fine plug with the charging socket provided directly at the roller blind.



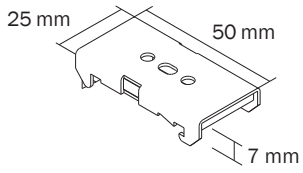
If the indicator light on the roller blind flashes twice every ten seconds, the battery is almost fully charged.

If the indicator light on the charger turns solid green, the battery is 100% charged.



Complete charging process

Disconnect the charger from the power supply and then carefully pull the charging plug out of the charging socket.

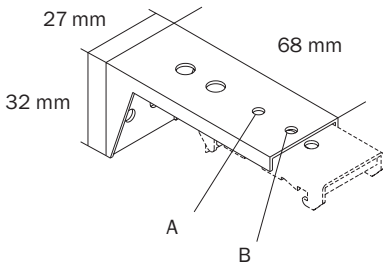


Clip Standard We deliver the roller blinds assembled, together with the corresponding metal clips.
Position the clips/supporting brackets at approx. 4 to 6 cm from the end of the blind

Up to 99 cm width: 2 pieces
As of 100 cm up to 149 cm width: 3 pieces
As of 150 cm up to 199 cm width: 4 pieces

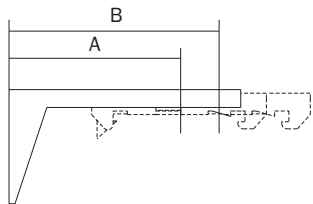
Colours Standard nickel-plated
Standard white RAL 9016
Other colours upon inquiry

Rapid and simple fixing with a shadow gap of approx. 7 mm

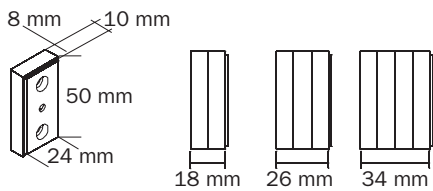


Supporting bracket Metal supporting bracket

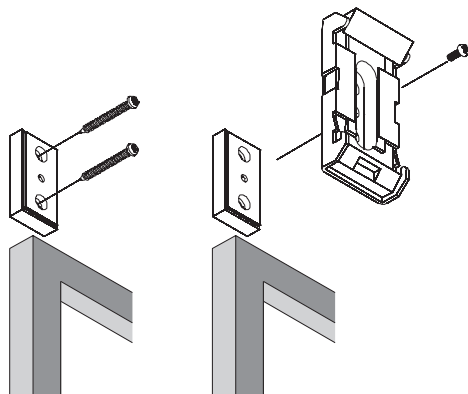
Colours Standard nickel-plated
Standard white RAL 9016
Other colours upon inquiry

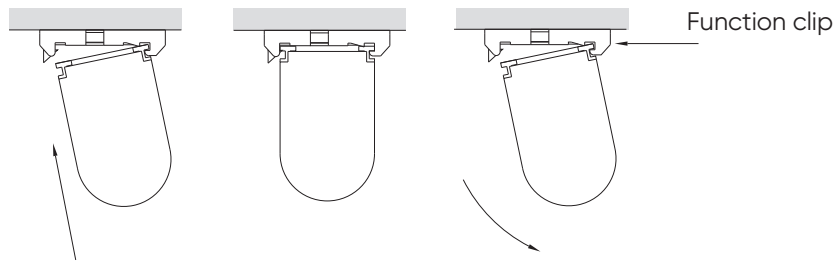


Projection A approx. 50 mm
Projection B approx. 63 mm



Distance plate by clip installation Plastic distance plate transparent, small projection distance from wall thanks to the installation of one or several distance plates

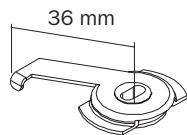




Function clip Insert the head profile into the clips and press. The roller blind will engage and be ready for use

Remove the blind by pressing the «Push» button

The clips shall be fixed straightened to the ceiling or the wall

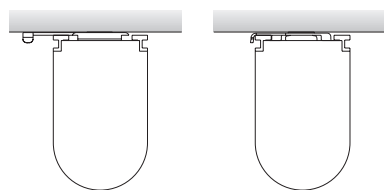


Tension jack We can deliver the blinds ready for installation, including the corresponding tension jacks upon inquiry

Colours Standard nickel-plated

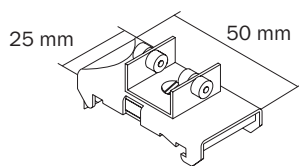
Minimum shadow gap of approx. 2 mm

Positioning of the tension jack at approx. 4 to 6 cm from the end of the blind

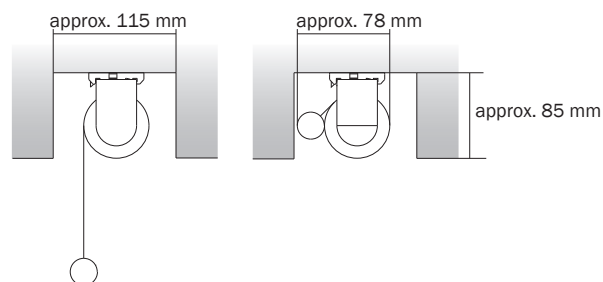


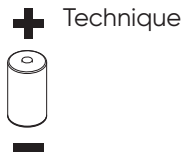
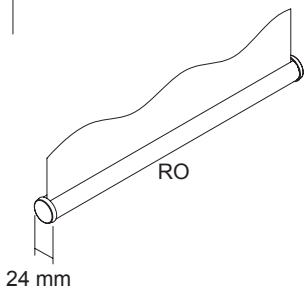
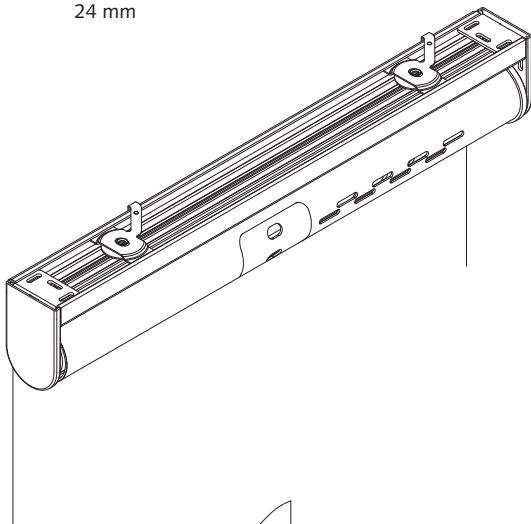
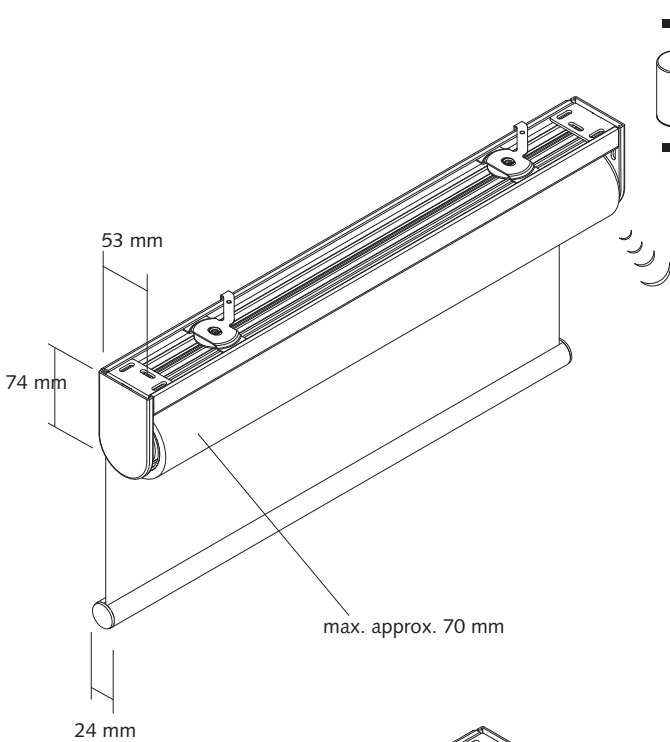
Function	Up to 99 cm width: 2 pieces
Tension jack	As of 100 cm up to 149 cm width: 3 pieces
	As of 150 cm up to 199 cm width: 4 pieces

Movable clip in Pantric 2-5 track



Groove Clip/tension jack Installation of the blinds in the groove





Technique

The patented high tech roller blind with an ingenious interaction of material and technique. Complete and ready for installation with head profile and tension jacks. Tube approx. Ø 51 mm. Motor on the left side.

- Ultra quiet operation, without noise interference
- Spring balanced gearing
- Low energy requirement
- No need for cables
- Integrated radio receiver
- Touch-motion control to move blind up
- Integrated battery compartment within the tube
- Long life 1.5 V batteries
- Battery life several years (depending on the roller blind size and frequency of use)

Colours Standard anodized aluminium/grey
Standard white RAL 9016
Other colours upon inquiry



Motor DC motor, 24 volt control system
Voltage: 6-9 volt
Integral slip clutch
With overload protection

Battery Panasonic Powerline D-LR 20, 1.5 V
(included in delivery and integrated in tube)

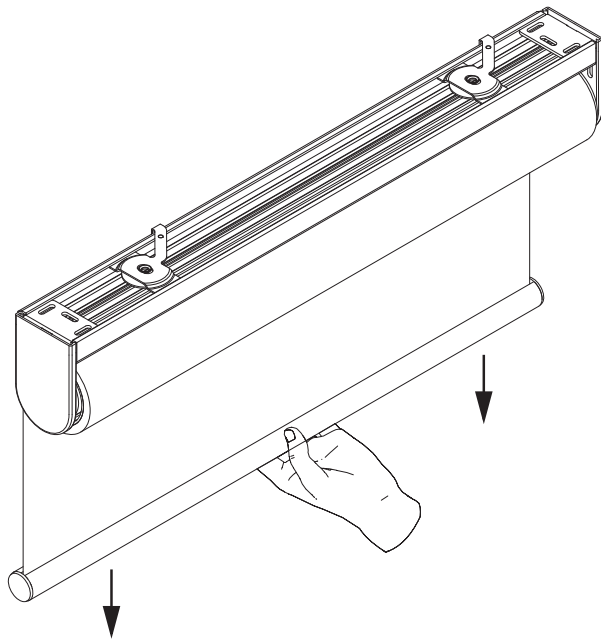
Width up to 63 cm	4 batteries
Width up to 107 cm	4 batteries
Width up to 245 cm	6 batteries

Bottom bar RO Bottom weight aluminium

Colours Standard anodized aluminium/grey
Standard white RAL 9016
Other colours upon inquiry

Option:
ELOX E'PLUS I
Design

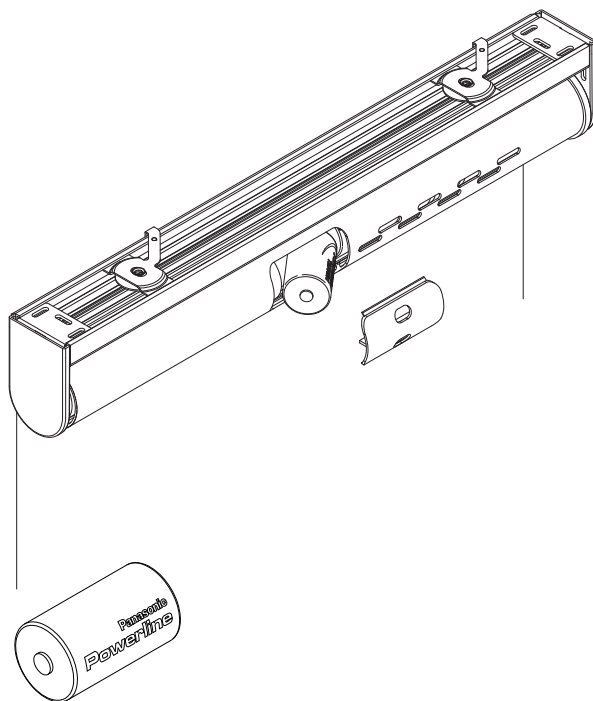
High-quality side cover on top and caps RO and SL weight in anodized aluminium, to match the anodized aluminium head profile/bottom bar, instead of the plastic option



End stop Limit switch preset for bottom at the works, individually adjustable top and bottom on site

Touch Motion Also operable without the remote control. The motor is activated by pulling lightly by hand on the bottom bar (approx. 5 cm) and the curtain then moves automatically upwards

Slip clutch If necessary, the blind can be slowly pulled down to the required position by hand on the bottom bar. Then use the touch motion function or the radio transmitter to roll it up automatically



- Change of battery**
1. Press the button DOWN until the roller blind stays at the lowest end position.
 2. Pull briefly by hand on the bottom bar (approx. 10 cm) so that the roller blind lifts to the 75% position
 3. Pull the curtain down by hand on the bottom bar until you can see the battery compartment
 4. Take off the grey battery cap and replace the batteries, then replace the cap (lined up with the shaft)
 5. Press the button UP and the roller blind lifts to the top position

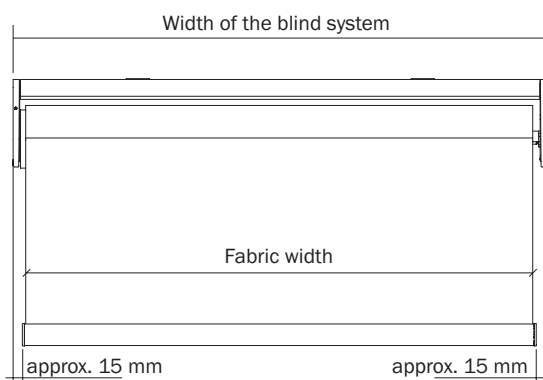
Battery Replacement battery type Panasonic Powerline D-LR 20, 1.5 V

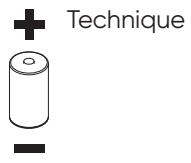
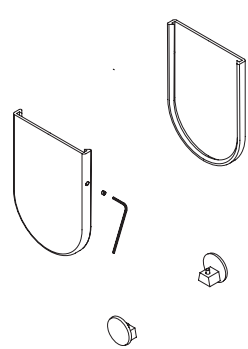
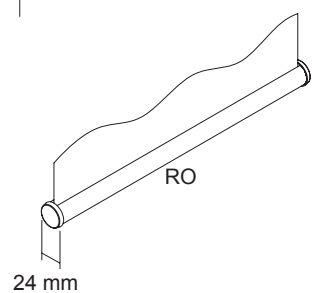
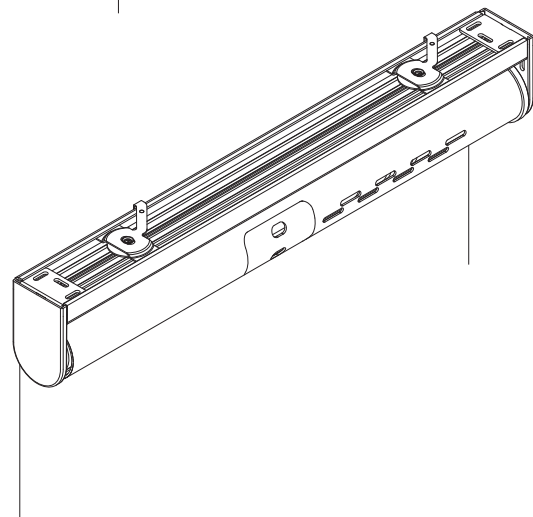
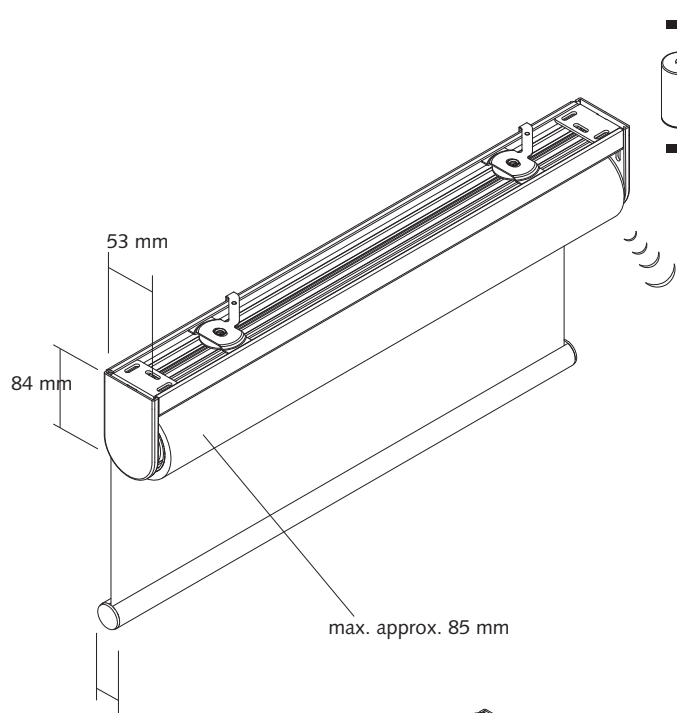
Measures Max. width 245 cm
Max. height 260 cm

Fabric reeling Standard backward reeling for fixation on ceiling or wall

Forward reeling on request only for fixation on ceiling possible

Fabric width Roller blind width -3.0 cm





Technique The patented high tech roller blind with an ingenious interaction of material and technique. Complete and ready for installation with head profile and tension jacks. Tube approx. Ø 61 mm. Motor on the left side.

- Ultra quiet operation, without noise interference
- Spring balanced gearing
- Low energy requirement
- No need for cables
- Integrated radio receiver
- Touch-motion control to move blind up
- Integrated battery compartment withing the tube
- Long life 1.5 V batteries
- Battery life several years (depending on the roller blind size and frequency of use)

Colours Standard anodized aluminium/grey
Standard white RAL 9016
Other colours upon inquiry

Motor DC motor, 24 volt control system
Qmotion® advanced shading systems
Voltage: 6-12volt
Integral slip clutch
With overload protection

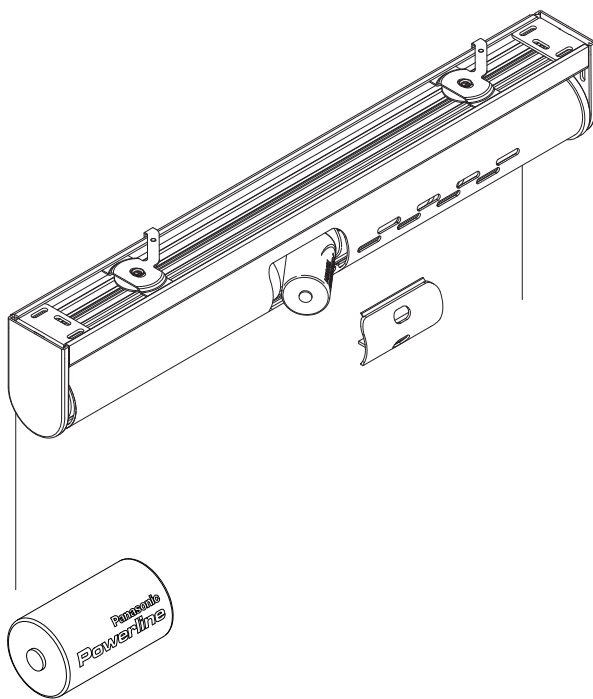
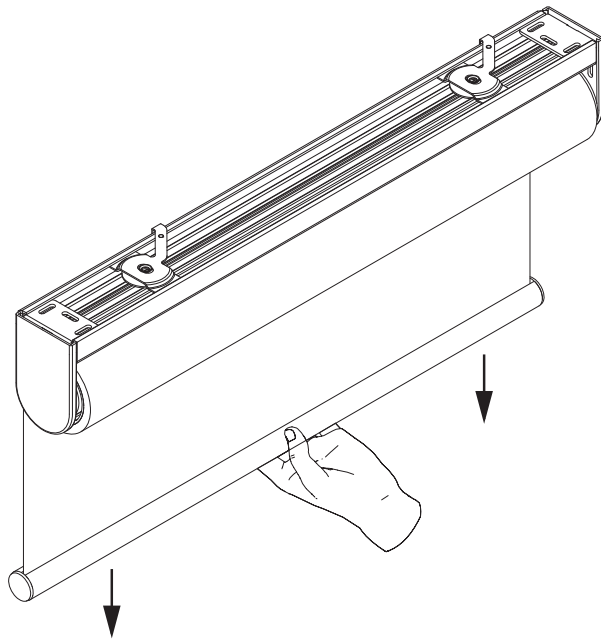
Battery Panasonic Powerline D-LR 20, 1.5 V (included in delivery and integrated in tube)

Width up to 63 cm	4 batteries
Width up to 107 cm	4 batteries
Width up to 245 cm	6 batteries
Width up to 300 cm	8 batteries

Bottom bar RO Bottom weight aluminium

Colours Standard anodized aluminium/grey
Standard white RAL 9016
Other colours upon inquiry

Option: ELOX E'PLUS II Design High-quality side cover on top and caps RO and SL weight in anodized aluminium, to match the anodized aluminium head profile/bottom bar, instead of the plastic option



End stop Limit switch preset for bottom at the works, individually adjustable top and bottom on site

Touch Motion Also operable without the remote control. The motor is activated by pulling lightly by hand on the bottom bar (approx. 5 cm) and the curtain then moves automatically upwards

Slip clutch If necessary, the blind can be slowly pulled down to the required position by hand on the bottom bar. Then use the touch motion function or the radio transmitter to roll it up automatically

- Change of battery**
1. Press the button DOWN until the roller blind stays at the lowest end position.
 2. Pull briefly by hand on the bottom bar (approx. 10 cm) so that the roller blind lifts to the 75% position
 3. Pull the curtain down by hand on the bottom bar until you can see the battery compartment
 4. Take off the grey battery cap and replace the batteries, then replace the cap (lined up with the shaft)
 5. Press the button UP and the roller blind lifts to the top position

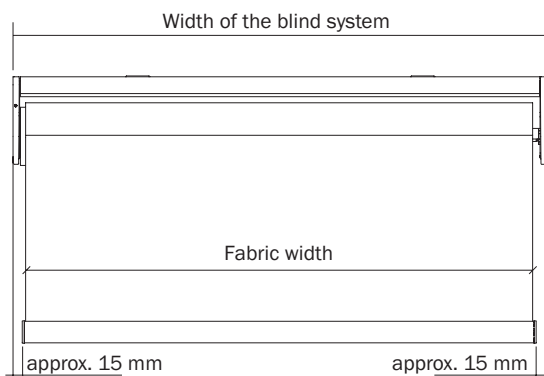
Battery Replacement battery type Panasonic Powerline D-LR 20, 1.5 V

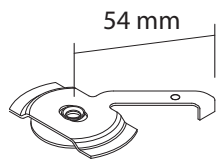
Measures Max. width 300 cm
Max. height 300 cm

Fabric reeling Standard backward reeling for fixation on ceiling or wall

Forward reeling on request only for fixation on ceiling possible

Fabric width Roller blind width -3.0 cm



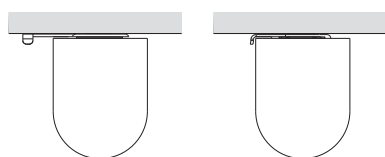


Tension jack Standard We deliver the blinds assembled, together with the corresponding tension jacks

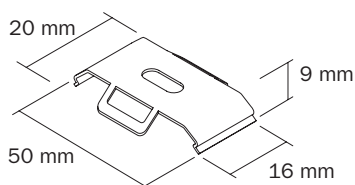
Colours Standard nickel-plated

Minimum shadow gap of approx. 2 mm

Positioning of the tension jack at approx. 8 to 10 cm from the end of the blind



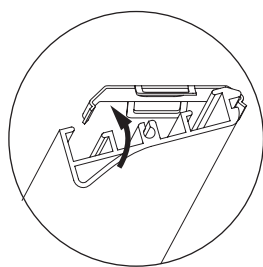
Function Tension jack Up to 99 cm width: 2 pieces
As of 100 cm up to 149 cm width: 3 pieces
As of 150 cm up to 199 cm width: 4 pieces
As of 200 cm up to 300 cm width: 5 pieces



Clip We supply the roller blinds fully assembled with the relevant clip installation arrangement approx. 8 to 10 cm from the end of the blind:

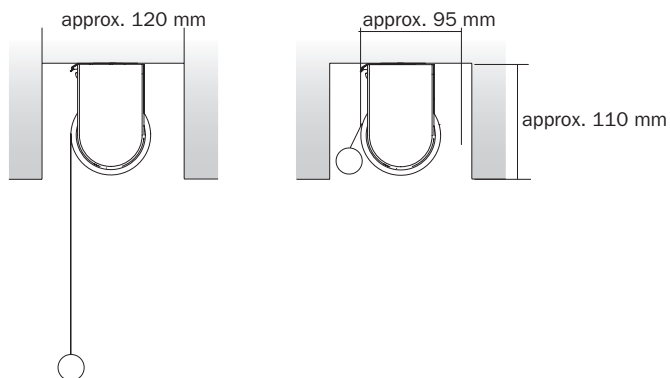
Up to 99 cm width: 2 pieces
As of 100 cm up to 149 cm width: 3 pieces
As of 150 cm up to 199 cm width: 4 pieces
As of 200 cm up to 300 cm width: 5 pieces

Colours Standard nickel-plated
Standard white RAL 9016
Other colours upon inquiry

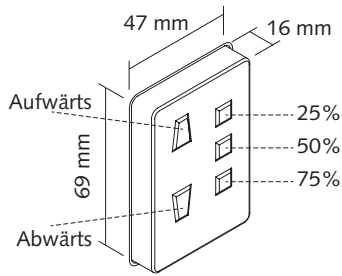


The tension jacks or clips shall be fixed straightended to the ceiling or the wall

Function clip Fit the head profile with its rear side in the clips.
Then press the front of the roller blind upwards into the clips until it locks in



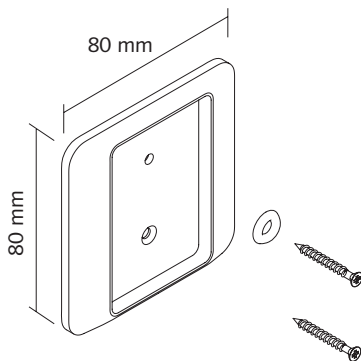
Groove/clip Installation of the roller blind into the groove



Radio Transmitter
1-channel

QMotion manual single channel radio transmitter 5 buttons for upwards, downwards and in-between stops at 25%, 50% and 75% of the height of the system
Magnetic back surface for wall mounting (optional)

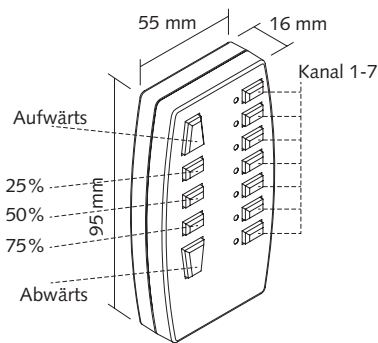
Colours white



QMotion wall mounting, manual single channel radio transmitter
With integral magnet holder

Colours white

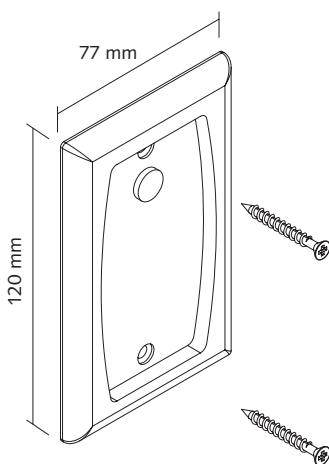
Overall depth of wall mounting / manual radio transmitter: 22 mm



Radio Transmitter
7-channel

QMotion manual 7 channel radio transmitter
5 buttons for upwards, downwards and in-between stops at 25%, 50% and 75% of the height of the system
Up to 6 individual or group settings.
Channel 7 controls all the roller blinds together, LED display for controlled unit
Magnetic back surface for wall mounting (optional)

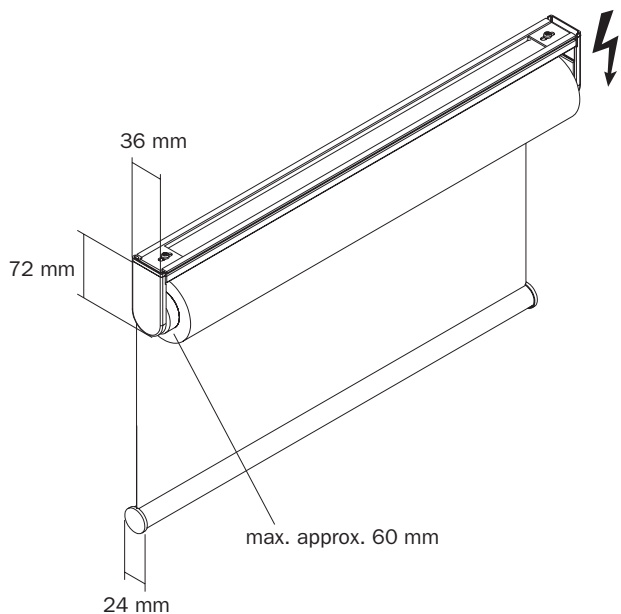
Colours white



QMotion wall mounting, 7-channel radio transmitter
With integral magnet holder

Colours white

Overall depth of wall mounting / manual radio transmitter: 24 mm



Technique The robust electric roller blind allows for a simple setting up. Complete and ready for setting up with head profile and clips. Roller tube of approx. 46 mm diameter
 Motor positioning: either right or left.
 Electric cable length: 250 cm

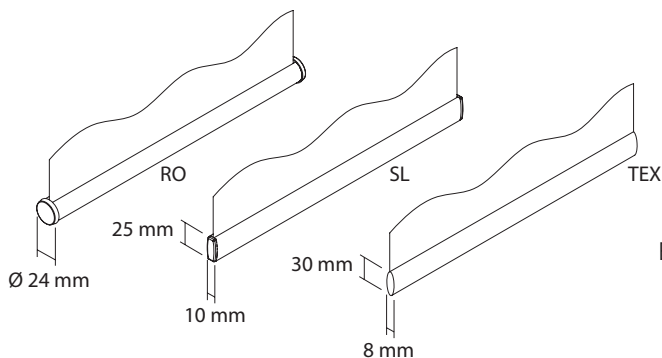


Motor 230 volt DC motor
 Frequency: 50 Hz
 Rated input: 95 watt
 Nominal current: 0.44 ampere

ROLLECTRO II :
 Maximum number of rotations: 40

ROLLECTRO II RTS:
 Max. number of rotations: 40
 Duration of operation max. 5 min.
 (at 20–35° C)

Nominal rotation speed:
 30 rotations /minute
 With overload protection
 Pay attention to wire cross section



Colours Standard anodized aluminium/grey
 Standard white RAL 9016
 Other colours upon inquiry

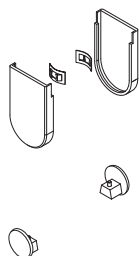
Bottom bar RO Bottom weight aluminium

Colours Standard anodized aluminium/grey
 Standard white RAL 9016
 Other colours upon inquiry

Bottom bar SL Weight flat-profile aluminium

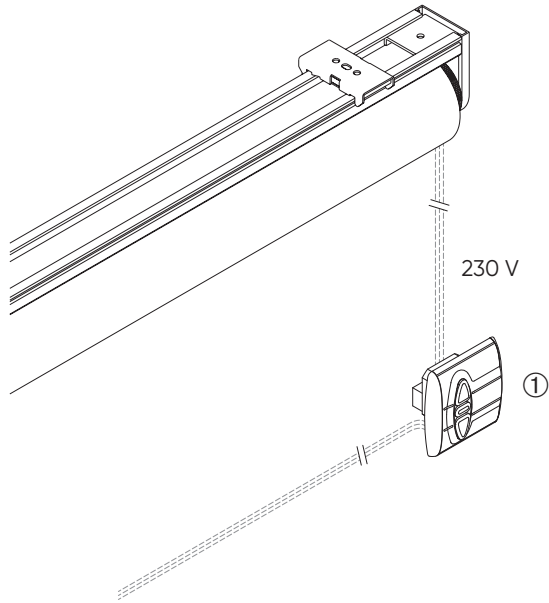
Colours Standard anodized aluminium/grey
 Standard white RAL 9016
 Other colours upon inquiry

Bottom bar TEX Weight flat-profile, 6 x 20 mm, sewn into the seam



Option:
ELOX 1 Design High-quality side cover on top and caps RO and SL weight in anodized aluminium, to match the anodized aluminium head profile/bottom bar, instead of the plastic option

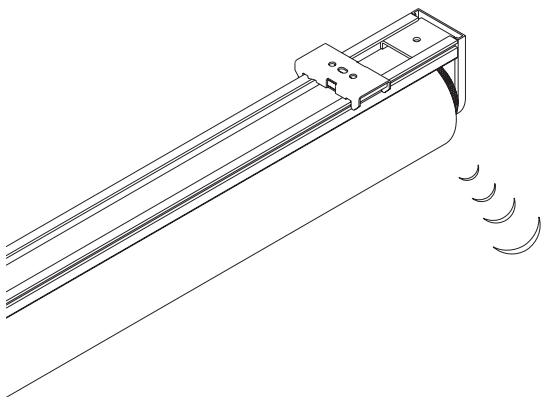
Size of system Maximum width of 250 cm
 Maximum height of 360 cm



Single operation switch

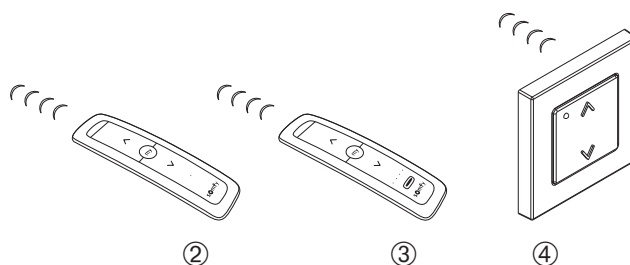
- ① Pushbutton switch Inis Uno

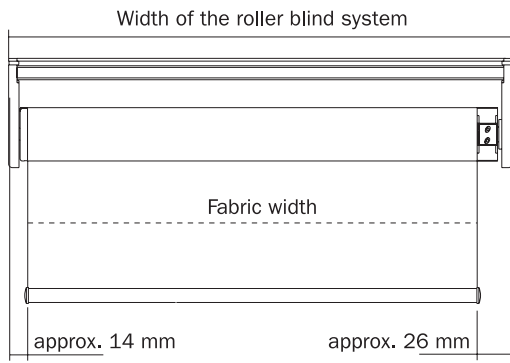
Other variants of single or group controls are available on request.



Operation radio

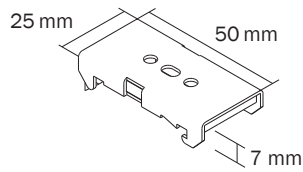
- ② Handheld radio transmitter Situ 1 RTS
- ③ Handheld radio transmitter Situ 5 RTS
- ④ Radio wall transmitter Smoove 1 RTS





Fabric reeling Standard backward reeling,
 forward reeling upon inquiry

Fabric width Roller blind width - 4,0 cm

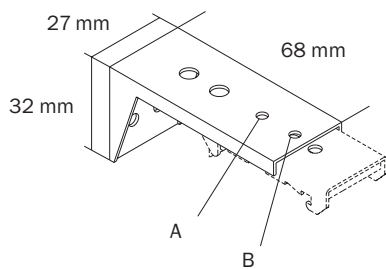


Clip Standard We deliver the roller blinds assembled, together with the corresponding metal clips.
Position the clips/supporting brackets at approx. 4 to 6 cm from the end of the blind.

Up to 99 cm width: 2 pieces
As of 100 cm up to 149 cm width: 3 pieces
As of 150 cm up to 199 cm width: 4 pieces
As of 200 cm up to 250 cm width: 5 pieces

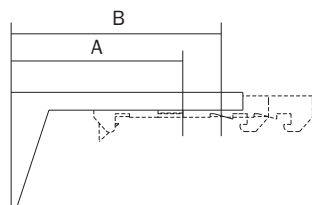
Colours Standard nickel-plated
Standard white RAL 9016
Other colours upon inquiry

Rapid and simple fixing with a shadow gap of approx. 7 mm

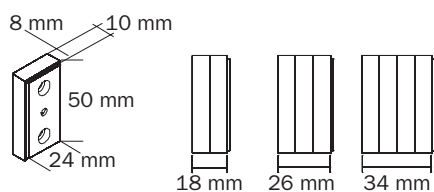


Supporting bracket Metal supporting bracket

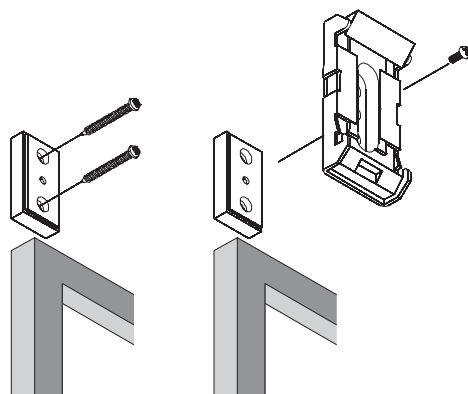
Colours Standard nickel-plated
Standard white RAL 9016
Other colours upon inquiry

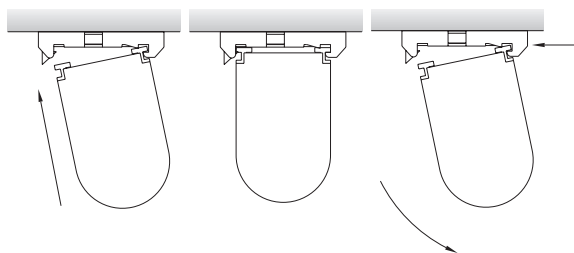


Projection A approx. 50 mm
Projection B approx. 63 mm



Distance plate by clip installation Plastic distance plate transparent, small projection distance from wall thanks to the installation of one or several distance plates

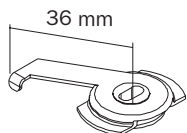




Function clip Insert the head profile into the clips and press. The blind will engage and be ready for use

Remove the blind by pressing the «Push» button

The clips shall be fixed straightened to the ceiling or the wall

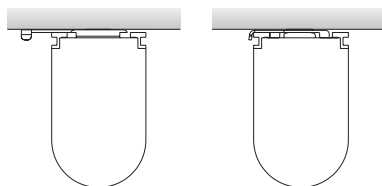


Tension jack We can deliver the blinds ready for installation, including the corresponding tension jacks upon inquiry

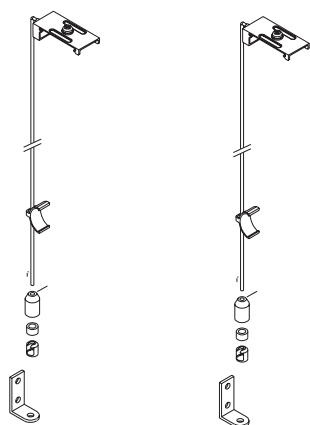
Colours Standard nickel-plated

Minimum shadow gap of approx. 2 mm

Positioning of the tension jack at approx. 4 to 6 cm from the end of the blind

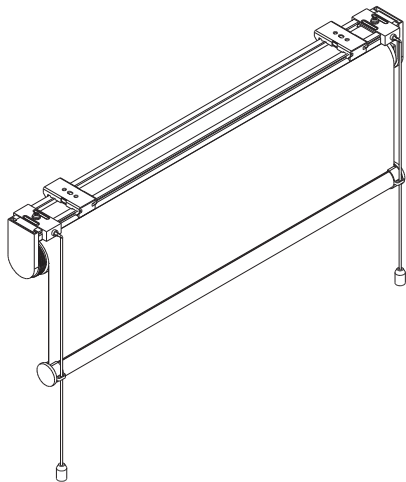


Function	Up to 99 cm width: 2 pieces
Tension jack	As of 100 cm up to 149 cm width: 3 pieces
	As of 150 cm up to 199 cm width: 4 pieces
	As of 200 cm up to 250 cm width: 5 pieces



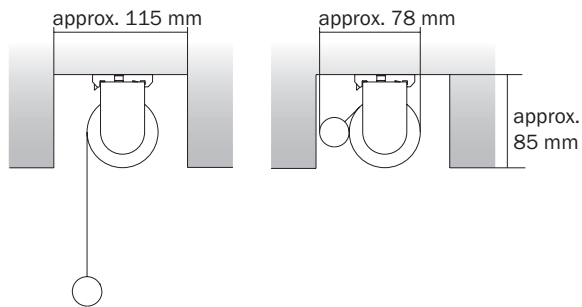
Cable guide set Set consists of:
 2 cable profile guides
 2 cables (plastic-sheathed)
 2 cable guide clips
 2 stretching devices
 2 wall holders

Colours Standard grey
 Standard white



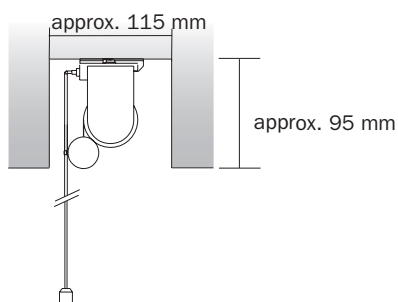
Installation procedure:

1. Fix the cable profile clips to the head profile by means of clamping screws
2. Fix the blind to the ceiling
3. Fix the cable guide clips to the bottom bar
4. Pull through the metal cable, fix the covering cap of the stretching device to the cable
5. Fix the stretching device, stretch and cover



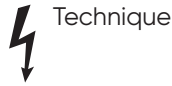
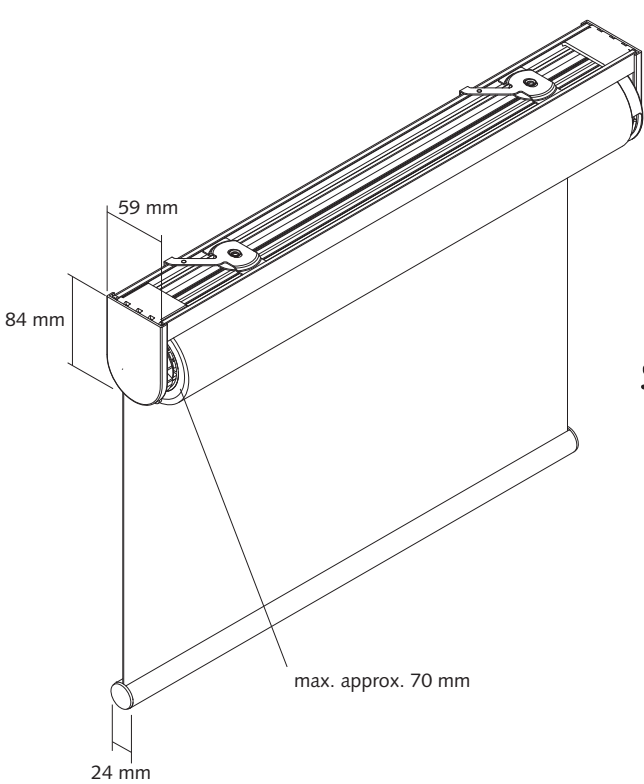
Groove
Clip/tension jack

Installation of the blinds in the groove



Groove
Cable guide

Installation of the blinds in the groove.



Technique

Large surface-area side-operated roller blind made of high-quality materials. Complete and ready-to-fit using a single side support. Roller blind tube approx. 52 mm & 65 mm diameter. Motor arrangement right or left
Cable length 250 cm
For big and heavy installations

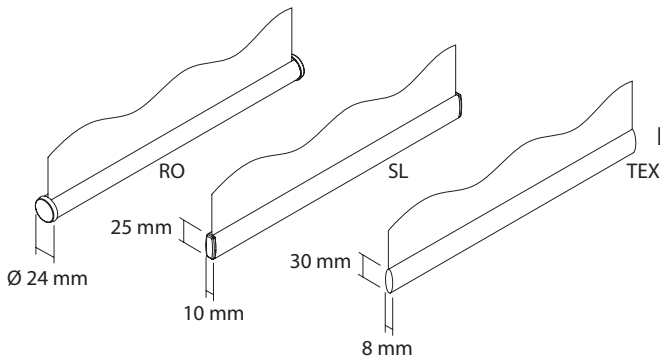


Motor

230 volt DC motor
Frequency: 50 Hz
Rated input: 95 watt
Nominal current: 0.44 ampere
MEGATRIC POWER:
Maximum number of rotations: 40
MEGATRIC POWER RTS:
Maximum number of rotations: 40
Maximum running time: 5 min (at 20–35°C)
Nominal rotation speed: 30 rotations/minute
With overload protection
Pay attention to wire cross section

Colours

Standard anodized aluminium/grey
Standard white RAL 9016
Other colours upon inquiry



Bottom bar RO

Bottom weight aluminium

Colours

Standard anodized aluminium/grey
Standard white RAL 9016
Other colours upon inquiry

Bottom bar SL

Weight flat-profile aluminium

Colours

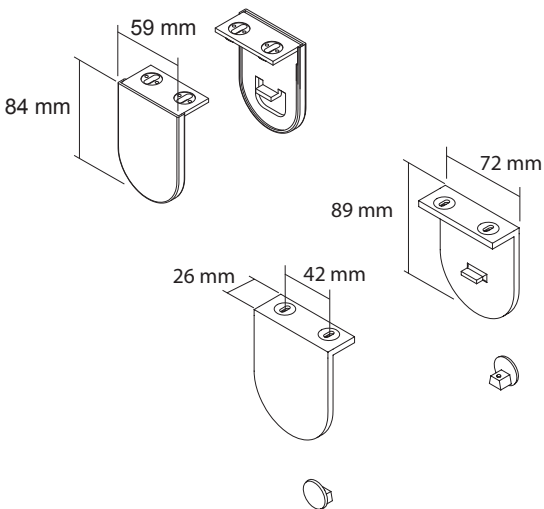
Standard anodized aluminium/grey
Standard white RAL 9016
Other colours upon inquiry

Bottom bar TEX

Weight flat-profile, 6 x 20 mm, sewn into the seam

Side support

Optionally available only with side support, in white and grey with plastic side cover

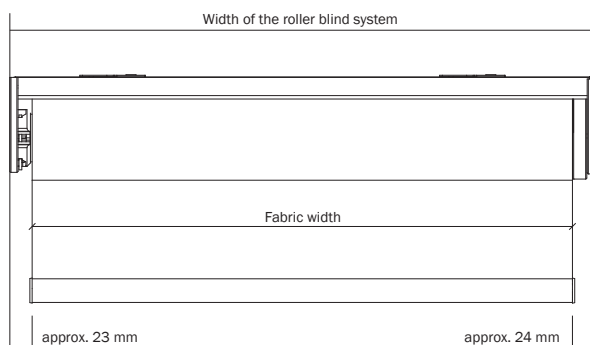
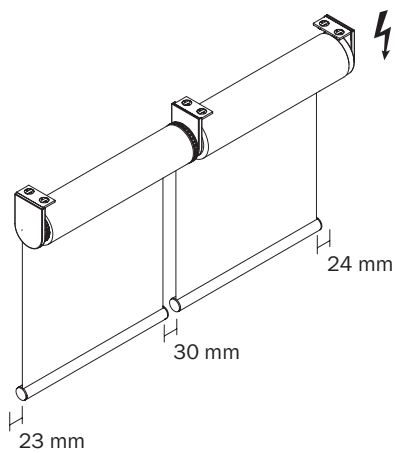
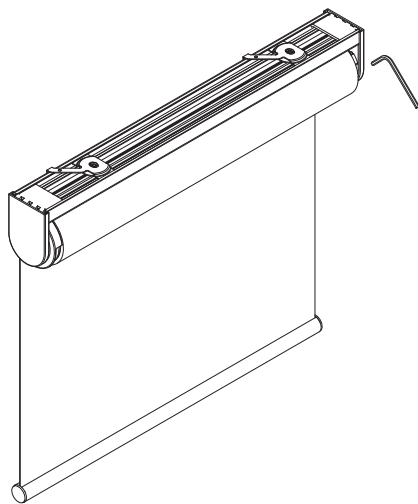


Option:

ELOX 3

Design

High-quality side support on top and caps RO and SL weight in anodized aluminium, to match the anodized aluminium bottom bar, instead of the plastic option.
Not available with head profile



Operation/
Control Set D (see ROLLECTRO II)
Set E (see ROLLECTRO II)
Set F (see ROLLECTRO II)
Set H (siehe ROLLECTRO II RTS)
Set G (siehe ROLLECTRO II RTS)

Group control Group controls as of two installations upon inquiry

Stopper Setting up of upper and lower limit stop at the factory, fine adjustment on site possible

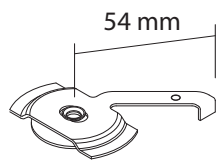
Adjustable counter bearing The roller blind can be levelled on site by turning the Allen screw

Size of system Maximum width of 300 cm
Maximum height of 400 cm

Fabric reeling Standard backward reeling, forward reeling upon inquiry

Linking Simultaneous operation with up to 3 roller blinds on a single drive, to be mounted on the left or on the right, with a total surface of max. 15 m², max. weight 5 kg.
Not available with head profile

Width of fabric Width of roller blind -4,7 cm

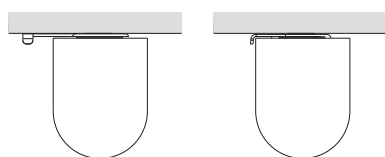


Tension jack
Standard We deliver the blinds assembled, together with the corresponding tension jacks

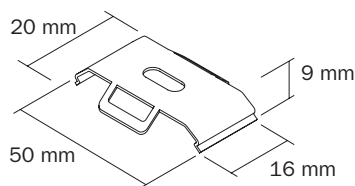
Colours Standard nickel-plated

Minimum shadow gap of approx. 2 mm

Positioning of the tension jack at approx. 8 to 10 cm from the end of the blind:



Function tension jack
Up to 99 cm width: 2 pieces
As of 100 cm up to 149 cm width: 3 pieces
As of 150 cm up to 199 cm width: 4 pieces
As of 200 cm up to 300 cm width: 5 pieces

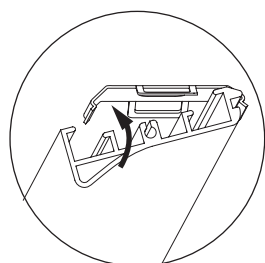


Clip We supply the roller blinds fully assembled with the relevant clip installation arrangement approx. 8 to 10 cm from the end of the blind:

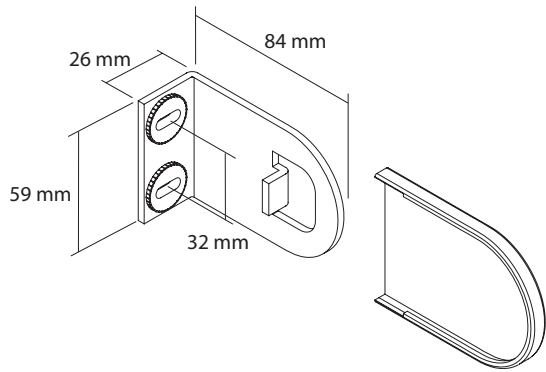
Up to 99 cm width: 2 pieces
As of 100 cm up to 149 cm width: 3 pieces
As of 150 cm up to 199 cm width: 4 pieces
As of 200 cm up to 300 cm width: 5 pieces

Colours Standard nickel-plated
Standard white RAL 9016
Other colours upon inquiry

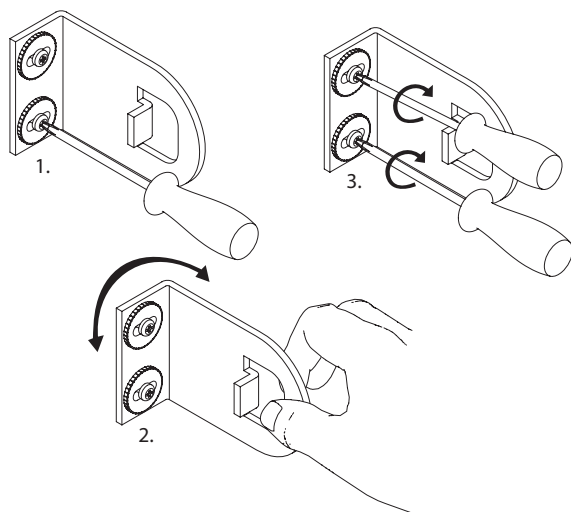
The clips shall be fixed straightened to the ceiling or the wall



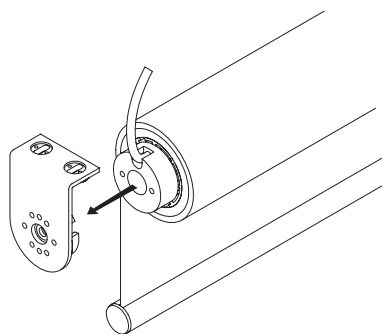
Function clip Fit the head profile with its rear side in the clips.
Then press the front of the roller blind upwards into the clips until it locks in



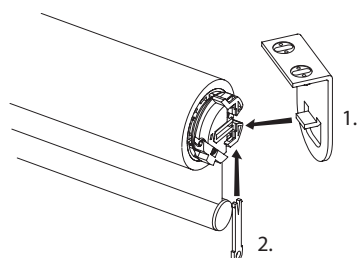
Side support Robust metal support with plastic side cover



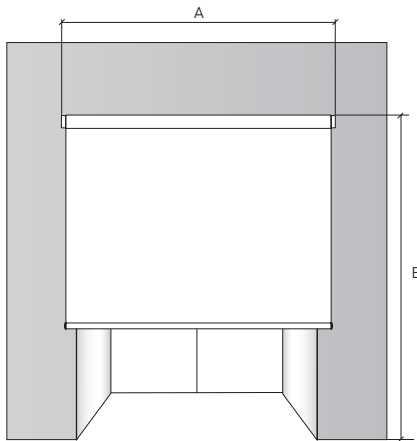
Adjusting plates 360° adjusting plates for simple, accurate installation



Installation on the motor side

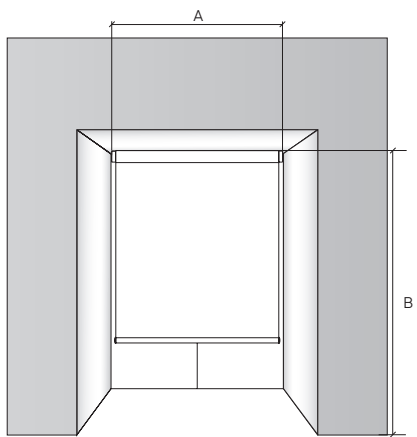
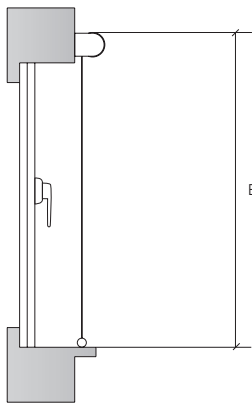


Installation on the opposite side



In front of the niche:
When you place your order, please indicate the measurements of the roller blinds and use our order form

- A – Blind width
(niche width + 10 cm)
- B – Blind height
(niche height + 10 cm)



In the niche:
When you place your order, please indicate the measurements of the roller blinds and use our order form

- A – Blind width
(niche width +/- 1 cm)
- B – Blind height
(clear niche height)

